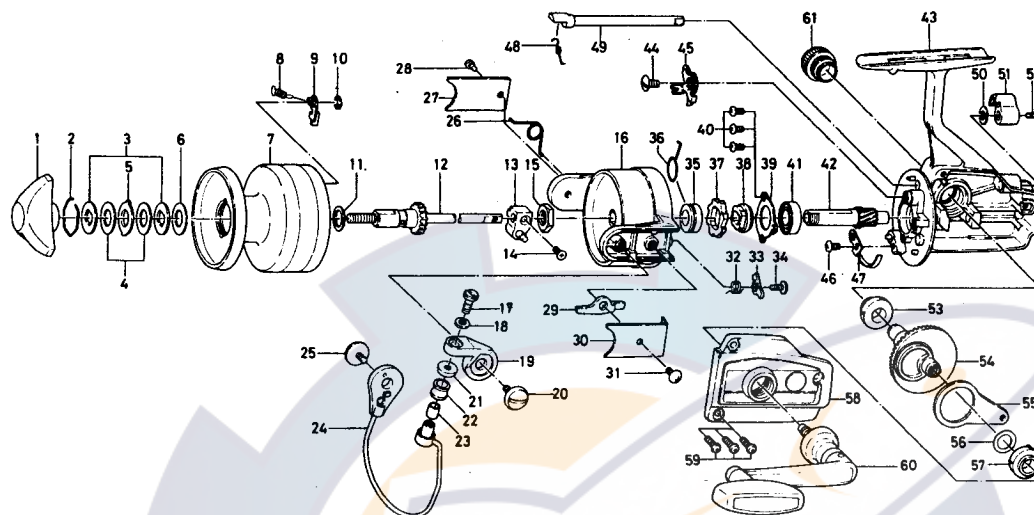


SPINNING REEL **REGAL D4000 & D4000SC**



**SPECIAL PARTS FOR D4000SC**  
6-280-9702

**RATCHET**

Key No.	Parts No.	Parts Name	Key No.	Parts No.	Parts Name
1	000-8241	Drag knob	32	145-3001	Bail kick cam spring
2	170-4511	Drag washer retainer	33	571-1101	Bail kick cam
3	376-0101	Drag D washer	34	353-8201	Bail kick cam screw
4	372-6504	Disc washer	35	502-1301	Spring holder
5	375-5401	Drag A washer	36	145-2901	Anti-reverse claw spring
6	372-3004	Drag washer A	37	B10-0801	Ratchet
7	734-7302	Spool	38	636-6711	Click gear
8	145-2101	Spool click claw spring	39	050-5101	Ball bearing ret. washer
9	B07-8201	Spool click claw	40	351-6601	Ball bearing ret. washer screw
10	320-1402	Spool click claw retainer	41	635-5001	Ball bearing
11	372-9601	Spool washer	42	403-3301	Pinion gear
12	711-5801	Main shaft	43	B39-5001	Body
13	637-4111	Oscillating support	44	352-1102	Anti-reverse claw screw
14	351-8901	Oscillating slider screw	45	B24-1601	Anti-reverse claw
15	B10-5701	Rotor nut	46	351-6601	Cam kick plate screw
16	202-1702	Rotor	47	B22-9901	Cam kick plate
17	363-3111	Bail screw	48	144-0321	Anti-reverse cam spring
18	375-1101	Bail washer	49	B15-6402	Anti-reverse cam
19	231-3501	Arm lever	50	373-2700	Anti-reverse lever washer
20	363-5201	Arm lever screw	51	541-7301	Anti-reverse lever
21	501-2001	Roller collar	52	352-2501	Anti-reverse lever screw
22	250-4501	Line roller	53	501-6101	Bearing metal
23	502-1401	Roller metal	54	414-2901	Drive gear
24	725-8701	Bail	55	481-2701	Oscillating slider
25	363-5201	Bail holder screw	56	371-2800	Drive gear washer
26	B21-1801	Bail spring	57	501-6101	Bearing metal
27	B01-4001	Bail spring cover	58	B29-5101	Body cover
28	351-6101	Bail spring cover screw	59	351-5901	Body cover screw
29	571-1201	Bail kick lever	60	748-1001	Handle
30	041-9201	Bail kick lever cover	61	363-4701	Handle screw cap
31	351-6101	Bail kick lever cover screw			