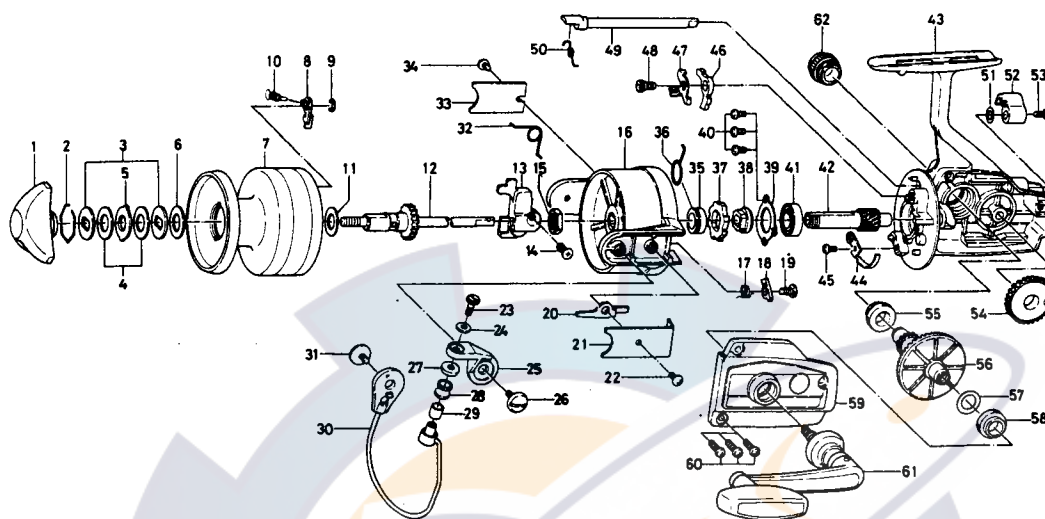


SPINNING REEL REGAL D7000



Key No.	Parts No.	Parts Name	Key No.	Parts No.	Parts Name
1	6-000-8237	Drag knob	32	6-B21-1801	Bail spring
2	6-170-4511	Drag washer retainer	33	6-634-6801	Bail spring cover
3	6-376-0101	Drag D washer	34	6-351-6101	Bail spring cover screw
4	6-372-6504	Disc washer	35	6-502-1301	Spring holder
5	6-375-5401	Drag A washer	36	6-B05-7301	Anti-reverse claw spring
6	6-372-3004	Drag washer A	37	6-B10-0901	Ratchet
7	6-B05-8702	Spool	38	6-636-6711	Click gear
8	6-B07-8201	Spool click claw	39	6-050-5101	Ball bearing ret. washer
9	6-320-1402	Spool click claw retainer	40	6-351-6601	Ball bearing ret. washer screw
10	6-145-2101	Spool click claw spring	41	6-635-5001	Ball bearing
11	6-372-9601	Spool washer	42	6-B05-6901	Pinion gear
12	6-B05-8101	Main shaft	43	6-B39-5201	Body
13	6-B07-6001	Oscillating slider	44	6-B22-9901	Cam kick plate
14	6-351-9001	Oscillating slider screw	45	6-351-6601	Cam kick plate screw
15	6-B10-5701	Rotor nut	46	6-B057101	Anti-reverse claw
16	6-B05-7402	Rotor	47	6-B01-5501	Anti-reverse claw plate
17	6-145-3001	Bail kick cam spring	48	6-B05-7201	Anti-reverse claw screw
18	6-571-1101	Bail kick cam	49	6-B15-6401	Anti-reverse cam
19	6-353-8201	Bail kick cam screw	50	6-144-0321	Anti-reverse cam spring
20	6-B05-7501	Bail kick lever	51	6-373-2700	Anti-reverse lever washer
21	6-B05-7601	Bail kick lever cover	52	6-541-7301	Anti-reverse lever
22	6-351-7701	Bail kick lever cover screw	53	6-352-2501	Anti-reverse lever screw
23	6-363-3111	Bail screw	54	6-B08-1201	Oscillating gear
24	6-375-1101	Bail washer	55	6-501-6101	Bearing metal
25	6-231-3501	Arm lever	56	6-B05-7901	Drive gear
26	6-363-5201	Arm lever screw	57	6-371-2800	Drive gear washer
27	6-501-2001	Roller collar	58	6-501-6101	Bearing metal
28	6-250-4501	Line roller	59	6-B39-5301	Body cover
29	6-502-1401	Roller metal	60	6-353-6301	Body cover screw
30	6-B05-7701	Bail	61	6-B05-8401	Handle
31	6-363-5201	Bail holder screw	62	6-B07-4701	Handle screw cap

Sold as one unit
 Spool assembly
 6-B05-8602