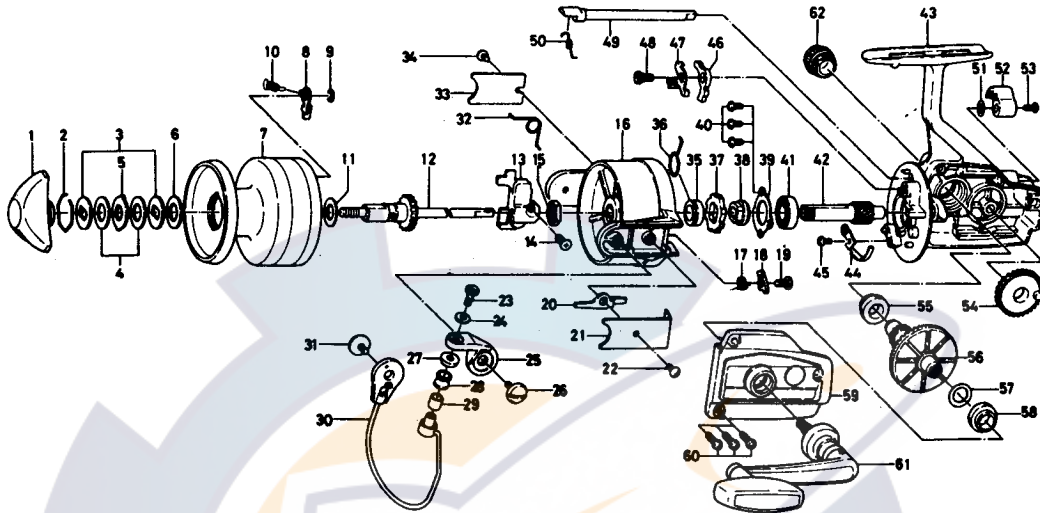


SPINNING REEL REGAL D7000



Key No.	Parts No.	Parts Name	Key No.	Parts No.	Parts Name
1	000-8237	Drag knob	32	B21-1801	Bail spring
2	170-4511	Drag washer retainer	33	634-6801	Bail spring cover
3	376-0101	Drag D washer	34	351-6101	Bail spring cover screw
4	372-6504	Disc washer	35	502-1301	Spring holder
5	375-5401	Drag A washer	36	B05-7301	Anti-reverse claw spring
6	372-3004	Drag washer A	37	B10-0901	Ratchet
7	B05-8702	Spool	38	636-6711	Click gear
8	B07-8201	Spool click claw	39	050-5101	Ball bearing ret. washer
9	320-1402	Spool click claw retainer	40	351-6601	Ball bearing ret. washer screw
10	145-2101	Spool click claw spring	41	635-5001	Ball bearing
11	372-9601	Spool washer	42	B05-6901	Pinion gear
12	B05-8101	Main shaft	43	B39-5201	Body
13	B07-6001	Oscillating slider	44	B22-9901	Cam kick plate
14	351-9001	Oscillating slider screw	45	351-6601	Cam kick plate screw
15	B10-5701	Rotor nut	46	B057101	Anti-reverse claw
16	B05-7402	Rotor	47	B01-5501	Anti-reverse claw plate
17	145-3001	Bail kick cam spring	48	B05-7201	Anti-reverse claw screw
18	571-1101	Bail kick cam	49	B15-6401	Anti-reverse cam
19	353-8201	Bail kick cam screw	50	144-0321	Anti-reverse cam spring
20	B05-7501	Bail kick lever	51	373-2700	Anti-reverse lever washer
21	B05-7601	Bail kick lever cover	52	541-7301	Anti-reverse lever
22	351-7701	Bail kick lever cover screw	53	352-2501	Anti-reverse lever screw
23	363-3111	Bail screw	54	B08-1201	Oscillating gear
24	375-1101	Bail washer	55	501-6101	Bearing metal
25	231-3501	Arm lever	56	B05-7901	Drive gear
26	363-5201	Arm lever screw	57	371-2800	Drive gear washer
27	501-2001	Roller collar	58	501-6101	Bearing metal
28	250-4501	Line roller	59	B39-5301	Body cover
29	502-1401	Roller metal	60	353-6301	Body cover screw
30	B05-7701	Bail	61	B05-8401	Handle
31	363-5201	Bail holder screw	62	363-4701	Handle screw cap

Sold as one unit
Spool assembly
6-B05-8602