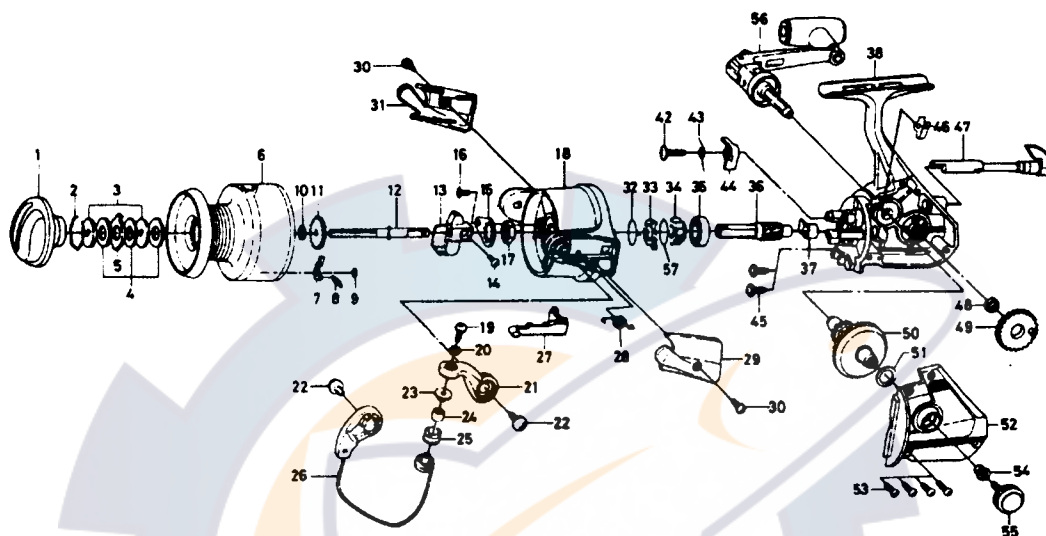




Please order by part number, not key number.

SPINNING REEL REGAL RG-S4500B/RG-S5000B



Key No.	Parts No.	Parts Name
2-9	F37-0501	Spool assembly
1	F36-9801	Drag knob
2	171-7701	Drag washer retainer
3	L03-1301	Key washer
4	373-3712	Drag washer
5	B89-9501	Eared washer
6	F36-9702	Spool assembly
7	B07-8201	Click pawl
8	145-2101	Click spring
9	320-1402	Click retainer
10	F09-4701	Spool washer
11	L02-1401	Click gear
12	L10-7301	Main shaft
13	L10-6601	Oscillating slider
14	351-8901	Oscillating slider screw
15	B02-1601	Rotor nut holding plate
16	L01-1702	Rotor nut holding plate screw
17	340-8301	Rotor nut
18	F36-8601	Rotor assembly
19	E45-4002	Line roller screw
20	160-8401	Lock washer
21	F39-4301	Bail arm
22	E00-7601	Bail arm screw
23	F08-8301	Line roller collar
24	F44-9901	Line roller bushing
25	E50-6001	Line roller
26	F36-9201	Bail assembly
27	L10-6901	Bail trip lever
28	F43-6401	Bail spring
29	F36-9101	Bail spring cover
30	E24-8101	Bail spring cover screw
31	F36-9501	Bail trip cover
32	F21-2001	Anti-reverse pawl spring A

Key No.	Parts No.	Parts Name
33	L06-6801	Anti-reverse pawl spring B
34	F36-8501	Anti-reverse ratchet
35	L03-6401	Ball bearing
36	L10-7701	Pinion gear
37	B88-0001	Pinion collar
38	E53-2602	Body assembly
42	L06-6501	Anti-reverse pawl screw
43	L13-7201	Anti-reverse pawl spring C
44	L06-6301	Anti-reverse pawl
45	L01-1601	Bearing retainer screw
46	E01-1801	Anti-reverse cam spring
47	L10-0711	Anti-reverse lever
48	B47-4101	Oscillating gear collar
49	L11-7001	Oscillating gear
50	B78-9501	Drive gear
51	371-2821	Drive gear washer
52	E53-2701	Side cover
53	B83-5002	Side cover screw
54	F40-9001	Handle collar
55	L00-9102	Handle lock screw
56	F44-0302	Handle assembly
57	F43-1001	Ratchet washer

S5000B Special Parts

2-9	F37-1401	Spool assembly
18	F37-1001	Rotor assembly
26	F37-1201	Bail assembly
27	L10-7101	Bail trip lever
38	E53-3302	Body assembly
52	E53-2702	Side cover