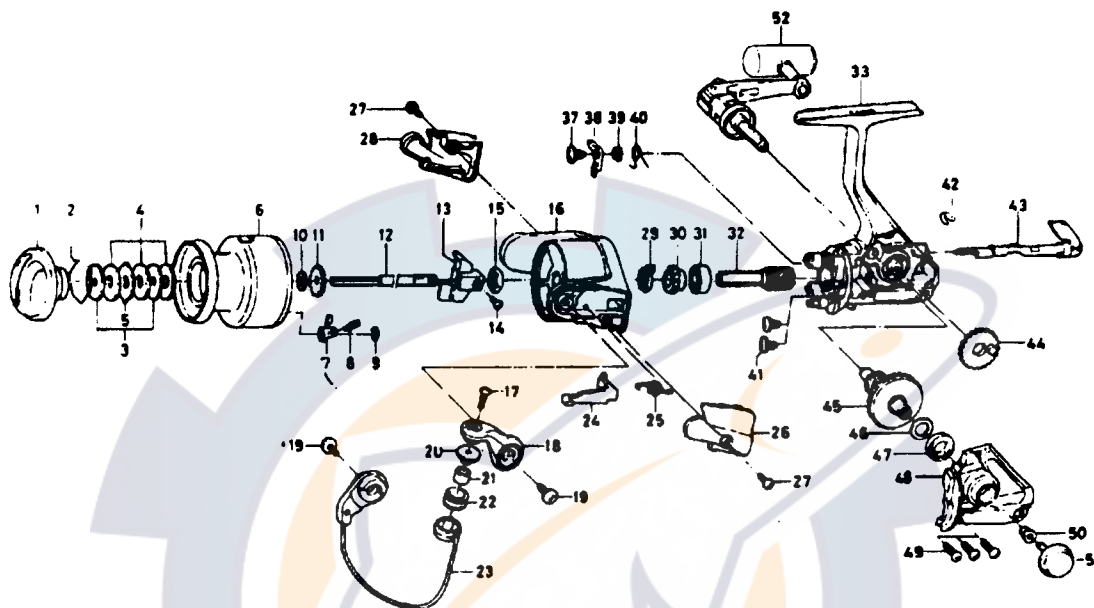




Please order by part number, not key number.

SPINNING REEL REGAL RG-X1500-2B/REG-X2000-2B



Key No.	Parts No.	Parts Name
2-9	F33-0601	Spool assembly
1	F32-8502	Drag knob
2	F37-3301	Drag washer retainer
3	E46-7201	Key washer
4	E13-6001	Drag washer
5	373-3603	Eared washer
6	F33-0701	Spool assembly
7	B07-5304	Click pawl
8	E40-3101	Click spring
9	320-5901	Click retainer
10	E46-7101	Spool washer
11	270-6501	Click gear
12	E49-8401	Main shaft
13	F12-2301	Oscillating slider
14	351-0311	Oscillating slider screw
15	341-9201	Rotor nut
16	F32-7802	Rotor
17	B67-9306	Line roller screw
18	F32-3002	Bail arm
19	B84-2102	Bail arm screw
20	F06-6301	Line roller collar
21	F31-6801	Line roller bushing
22	E50-6001	Line roller
23	F32-8002	Bail assembly
24	E49-6401	Bail trip lever
25	E49-6801	Bail spring
26	F32-4202	Bail spring cover
27	E24-8101	Bail spring cover screw
28	F32-6302	Bail trip cover
29	F12-2101	Anti-reverse pawl spring A

Key No.	Parts No.	Parts Name
30	F32-7701	Anti-reverse ratchet
31	634-1301	Ball bearing
32	F12-1601	Pinion gear
33	F33-0801	Body assembly
37	F12-5701	Anti-reverse pawl screw
38	F12-1901	Anti-reverse pawl
39	F12-3501	Anti-reverse pawl collar
40	F12-3401	Anti-reverse pawl spring R
41	E03-7801	Bearing retainer screw
42	F12-2001	Anti-reverse cam spring
43	F08-5104	Anti-reverse lever
44	F12-2201	Oscillating gear
45	F12-1501	Drive gear
46	375-8501	Drive gear washer
47	634-1301	Ball bearing
48	F33-0401	Side cover
49	E15-8602	Side cover screw
50	F40-4801	Handle collar
51	B92-5004	Handle lock screw
52	F33-0501	Handle assembly

RG-X2000-2B Special Parts

2-9	F33-2301	Spool assembly
6	F33-2401	Spool assembly
16	F33-1802	Rotor
23	F33-1902	Bail assembly
24	E49-6501	Bail trip lever
33	F33-0804	Body assembly
48	F33-0403	Side cover