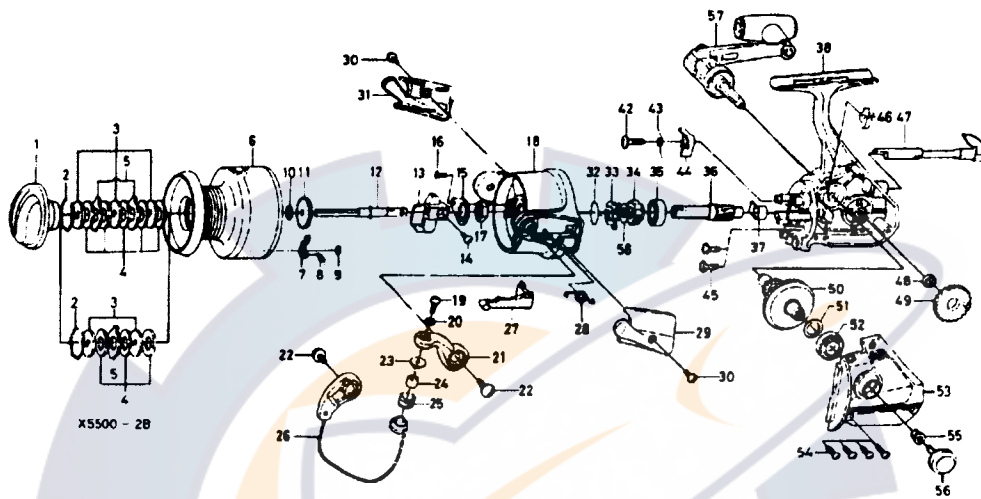




Please order by part number, not key number.

SPINNING REEL REGAL RG-X5500-2B/REG-X6000-2B



Key No.	Parts No.	Parts Name	Key No.	Parts No.	Parts Name
2-9	L13-6302	Spool assembly (Aluminum Spool)	38	E53-5101	Body assembly
	E51-4105	Spool assembly (Extra Spool)	42	L06-6501	Anti-reverse pawl screw
1	F36-9802	Drag knob	43	L06-6401	Anti-reverse pawl spring C
2	171-7701	Drag washer retainer	44	L07-8601	Anti-reverse pawl
3	L03-1301	Key washer	45	L01-1601	Bearing retainer screw
4	373-3712	Drag washer	46	E01-1801	Anti-reverse cam -Spring
5	B89-9501	Eared washer	47	L10-0702	Anti-reverse lever
6	L13-6402	Spool assembly	48	B47-4101	Oscillating gear collar
7	B07-8201	Click pawl	49	L11-4701	Oscillating gear
8	145-2101	Click spring	50	L07-1701	Drive gear
9	320-1402	Click retainer	51	371-2821	Drive gear washer
10	F22-5501	Spool washer	52	B54-6001	Ball bearing B
11	L11-8501	Click gear	53	E53-5301	Side cover
12	F42-9501	Main shaft	54	BS3-5002	Side cover screw
13	F42-9101	Oscillating slider	55	F40-9001	Handle collar
14	351-8901	Oscillating slider screw	56	L00-9102	Handle lock screw
15	B02-1601	Rotor nut holding plate	57	F41-4601	Handle assembly
16	L01-1702	Rotor nut holding plate screw	58	F43-1001	Ratchet washer
17	340-8301	Rotor nut			
18	F39-4402	Rotor	RG-X6000-2B Special Parts		
19	E45-4002	Line roller screw	2-9	F43-2501	Spool assembly (Aluminum Spool)
20	160-8401	Lock washer		F43-2601	Spool assembly (Extra Spool)
21	F39-4302	Bail arm	18	F39-4702	Rotor assembly
22	E00-7601	Bail arm screw	26	F39-4002	Bail assembly
23	F08-8301	Line roller collar	27	F39-3501	Bail trip lever
24	E50-5901	Line roller bushing	38	E53-4902	Body assembly
25	E50-6001	Line roller	53	E53-5303	Side cover
26	F39-3802	Bail assembly			
27	F41-3401	Bail trip lever			
28	F43-6401	Bail spring			
29	F39-3302	Bail spring cover			
30	E24-8101	Bail spring cover screw			
31	F39-3402	Bail trip cover			
32	F21-2001	Anti-reverse pawl spring A			
33	L07-0701	Anti-reverse pawl spring B			
34	F39-4201	Anti-reverse ratchet			
35	LC3-6401	Ball bearing A			
36	L11-4401	Pinion gear			
37	L00-6001	Pinion collar			