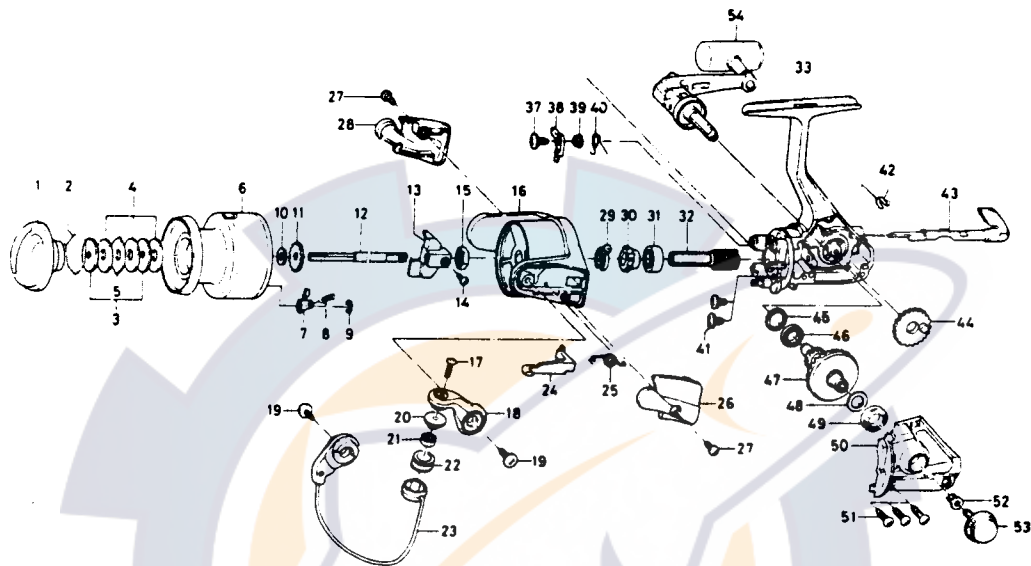




Please order by part number, not key number.

SPINNING REEL REGAL RG-Z1500BL/REG-Z2000BL



Key No.	Parts No.	Parts Name	Key No.	Parts No.	Parts Name
2-9	F33-0603	Spool assembly	32	F12-1601	Pinion gear
1	F32-8503	Drag knob	33	F33-1301	Body assembly
2	F37-3301	Drag washer retainer	37	F12-5701	Anti-reverse pawl screw
3	E46-7201	Key washer	38	F12-1901	Anti-reverse pawl
4	E13-6001	Drag washer	39	F12-3501	Anti-reverse pawl collar
5	373-3603	Eared washer	40	F12-3401	Anti-reverse pawl spring B
6	F33-0703	Spool assembly	41	E03-7801	Bearing retainer screw
7	B07-5304	Click pawl	42	F12-2001	Anti-reverse cam spring
8	E40-3101	Click spring	43	F08-5123	Anti-reverse lever
9	320-5901	Click retainer	44	F12-2201	Oscillating gear
10	E46-7101	Spool washer	45	E50-5801	Bearing washer
11	270-6501	Click gear	46	E30-6801	Ball bearing C
12	E49-8401	Main shaft	47	F12-1501	Drive gear
13	F12-2301	Oscillating slider	48	375-8501	Drive gear washer
14	351-0311	Oscillating slider screw	49	634-1301	Ball bearing B
15	341-9201	Rotor nut	50	F33-1001	Side cover
16	F32-7803	Rotor	51	E15-8602	Side cover screw
17	B67-9306	Line roller screw	52	501-8501	Handle collar
18	F32-3003	Bail arm	53	B92-5006	Handle lock screw
19	B84-2102	Bail arm screw	54	F33-1201	Handle assembly
20	F06-6301	Line roller collar			
21	F05-5601	Ball bearing A	RG-Z2000BL	Special Parts	
22	F05-8901	Line roller	2-9	F33-2303	Spool assembly
23	F33-1101	Bail assembly	6	F33-2403	Spool assembly
24	E49-6401	Bail trip lever	16	F33-1803	Rotor
25	E49-6801	Bail spring	23	F33-2501	Bail assembly
26	F32-4203	Bail spring cover	24	E49-6501	Bail trip lever
27	E24-8101	Bail spring cover screw	33	F33-1303	Body assembly
28	F32-6303	Bail-trip cover	50	F33-1003	Side cover
29	F12-2101	Anti-reverse pawl spring A			
30	F32-7701	Anti-reverse ratchet			
31	634-1301	Ball bearing B			