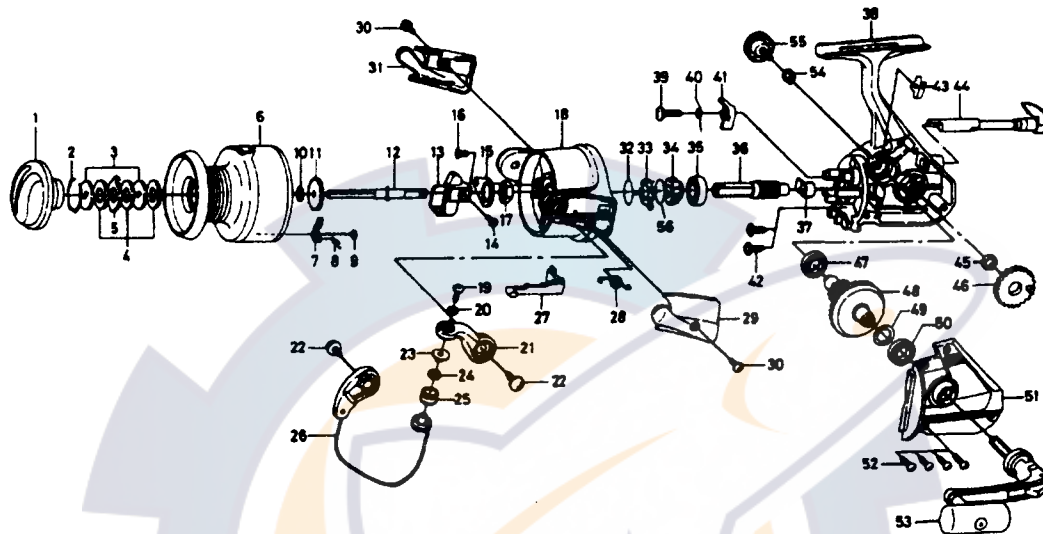




Please order by part number, not key number.

# SPINNING REEL REGAL RG-Z4500BL/RG-Z5000BL



Key No.	Parts No.	Parts Name	Key No.	Parts No.	Parts Name
2-9	L13-5103	Spool assembly	36	L10-7701	Pinion gear
1	F36-9803	Drag knob	37	B88-0001	Pinion collar
2	171-7701	Drag washer retainer	38	E53-3001	Body assembly
3	L03-1301	Key washer	39	L06-6501	Anti-reverse pawl screw
4	373-3712	Drag washer	40	L13-7201	Anti-reverse pawl spring C
5	B89-9501	Eared washer	41	L06-6301	Anti-reverse pawl
6	L13-5203	Spool assembly	42	L01-1601	Bearing retainer screw
7	B07-8201	Click pawl	43	E01-1801	Ant-reverse cam spring
8	145-2101	Click spring	44	L10-0712	Anti-reverse lever
9	320-1402	Click retainer	45	B47-4101	Oscillating gear collar
10	F09-4701	Spool washer	46	L11-7001	Oscillating gear
11	L02-1401	Click gear	47	B54-6001	Ball bearing C
12	L10-7302	Main shaft	48	B78-9501	Drive gear
13	L10-6601	Oscillating slider	49	371-2824	Drive gear washer
14	351-8901	Oscillating slider screw	50	B54-6001	Ball bearing D
15	B02-1601	Rotor nut holding plate	51	E53-3101	Side cover
16	L01-1702	Rotor nut holding plate screw	52	B83-5002	Side cover screw
17	340-8301	Rotor nut	53	E53-3201	Handle assembly
18	F36-8603	Rotor	54	F40-9001	Handle collar
19	E45-4002	Line roller screw	55	L00-9106	Handle lock screw
20	160-8401	Lock washer	56	F43-1001	Ratchet washer
21	F36-9003	Bail arm	<b>RG-Z5000BL Special Parts</b>		
22	E00-7601	Bail arm screw	2-9	L13-6303	Spool assembly
23	F08-8301	Line roller collar	18	F37-1003	Rotor assembly
24	F05-5601	Ball bearing A	26	F38-6101	Bail assembly
25	F05-8901	Line roller	27	L10-7101	Bail trip lever
26	F38-6001	Bail assembly	38	E53-3002	Body assembly
27	L10-6901	Bail trip lever	51	E53-3102	Side cover
28	F43-6401	Bail spring			
29	F36-9103	Bail spring cover			
30	E24-8101	Bail spring cover screw			
31	F36-9503	Bail trip cover			
32	F21-2001	Anti-reverse pawl spring A			
33	L06-6801	Anti-reverse pawl spring B			
34	F36-8501	Anti-reverse ratchet			
35	637-6101	Ball bearing B			