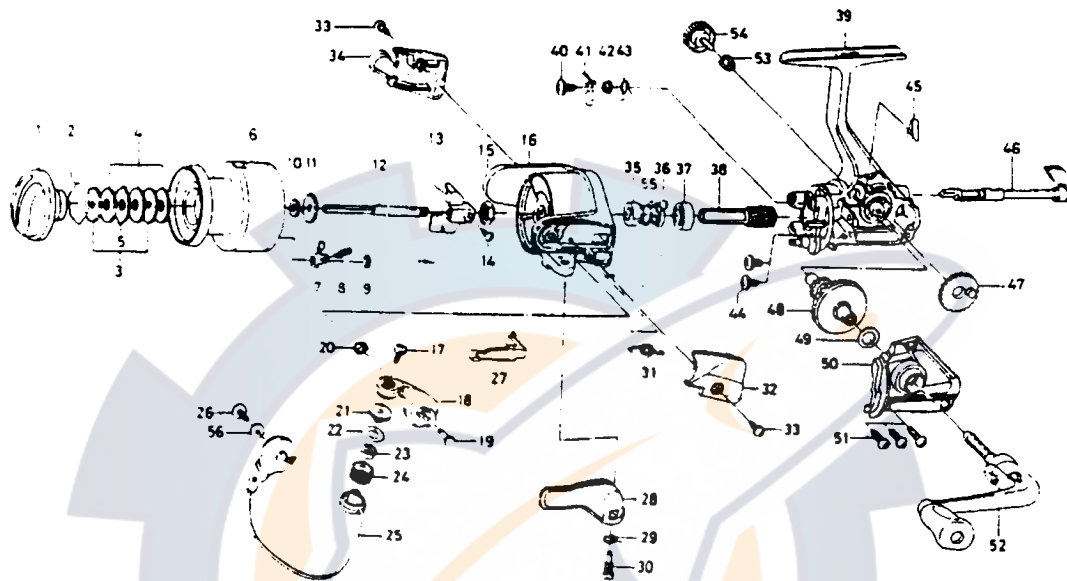


SPINNING REEL

REGAL-S2505MT



Key No.	Parts No.	Parts Name	Key No.	Parts No.	Parts Name
2-9	F49-3002	Spool assembly	30	E41-7801	Trigger screw
1	F42-0907	Drag knob	31	E12-8901	Bail spring
2	F37-3301	Drag washer retainer	32	F31-0507	Bail spring cover
3	E46-7201	Key washer	33	E36-4202	Bail spring cover screw
4	E13-6001	Drag washer	34	F31-0607	Bail trip cover
5	373-3603	Eared washer	35	E49-2402	Anti-reverse ratchet
6	F49-3102	Spool assembly	36	F37-5101	Spring holder
7	B07-5304	Click pawl	37	L03-6601	Ball bearing A
8	E40-3101	Click spring	38	E51-9801	Pinion gear
9	320-5901	Click retainer	39	F49-3201	Body assembly
10	E46-7101	Spool washer	40	L00-1801	Anti-reverse pawl screw
11	270-6501	Click gear	41	F37-5001	Anti-reverse pawl
12	F45-4502	Main shaft	42	L01-4302	Anti-reverse pawl collar
13	E45-1401	Oscillating slider	43	L00-1501	Anti-reverse pawl spring A
14	351-0315	Oscillating slider screw	44	E03-7801	Bearing retainer screw
15	341-9201	Rotor nut	45	E32-7801	Anti-reverse cam spring
16	F42-0807	Rotor assembly	46	F08-5120	Anti-reverse lever
17	B67-9308	Line roller screw	47	E45-1301	Oscillating gear
18	F45-2702	Bail arm	48	F17-0001	Drive gear
19	E49-3501	Bail arm screw	49	373-7805	Drive gear washer
20	320-5901	Bail arm screw retainer	50	F49-3301	Side cover
21	F44-6302	Line roller collar	51	B83-5002	Side cover screw
22	F44-6201	Line roller washer	52	F50-7601	Handle assembly
23	F47-3401	Line roller bushing	53	F40-4801	Handle collar
24	F45-4901	Line roller	54	B92-5011	Handle lock screw
25	F49-4202	Bail assembly	55	F38-4701	Anti-reverse pawl spring B
26	B84-2102	Bail trip cam screw	56	F40-1001	Bail holder washer
27	E45-1601	Bail trip lever			
28	F15-0006	Trigger lever			
29	E36-9901	Trigger spring			