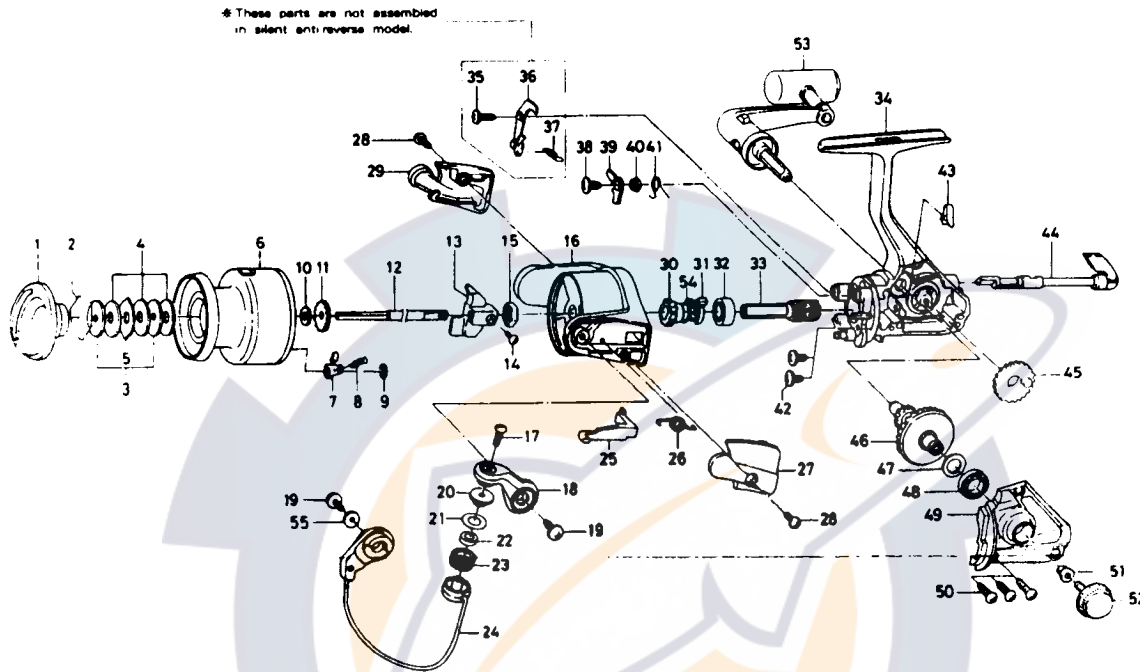


SPINNING REEL

REGAL-X2500T



Key No.	Parts No.	Parts Name
2-9	F49-3001	Spool assembly
1	F42-0906	Drag knob
2	F37-3301	Drag washer retainer
3	E46-7201	Key washer
4	E13-6001	Drag washer
5	373-3603	Eared washer
6	F49-3101	Spool assembly
7	B07-5304	Click pawl
8	E40-3101	Click spring
9	320-5901	Click retainer
10	E46-7101	Spool washer
11	270-6501	Click gear
12	F45-4502	Main shaft
13	E45-1401	Oscillating slider
14	351-0315	Oscillating slider screw
15	341-9201	Rotor nut
16	F42-4705	Rotor
17	B67-9308	Line roller screw
18	F45-2302	Bail arm
19	B84-2102	Bail arm screw
20	F44-6302	Line roller collar
21	F44-6201	Line roller washer
22	F47-3401	Line roller bushing
23	F45-4902	Line roller
24	F48-8201	Bail assembly
25	E45-1601	Bail trip lever
26	F12-8901	Bail spring
27	F31-0305	Bail spring cover
28	E36-4202	Bail spring cover screw
29	F35-2305	Bail trip cover
30	F31-1502	Anti-reverse ratchet

Key No.	Parts No.	Parts Name
31	F37-5101	Spring holder
32	L03-6601	Ball bearing A
33	E51-9801	Pinion gear
34	F49-2701	Body assembly
38	L00-1801	Anti-reverse pawl screw
39	F37-5001	Anti-reverse pawl
40	L01-4302	Anti-reverse pawl collar
41	L00-1501	Anti-reverse pawl spring A
42	E03-7801	Bearing retainer screw
43	E32-7801	Anti-reverse cam spring
44	F08-5120	Anti-reverse lever
45	E45-1301	Oscillating gear
46	F17-0001	Drive gear
47	373-7805	Drive gear washer
48	631-6901	Ball bearing B
49	F49-2801	Side cover
50	683-5002	Side cover screw
51	F40-4801	Handle collar
52	B92-5011	Handle screw
53	F49-9701	Handle Assembly
54	F38-4701	Anti-reverse pawl spring B
55	F40-1001	Bail holder washer

SPECIAL PARTS MADE IN JAPAN

Key No.	Parts No.	Parts Name
33	F37-7501	Pinion gear
34	F48-7901	Body
56	E24-3301	Pinion collar