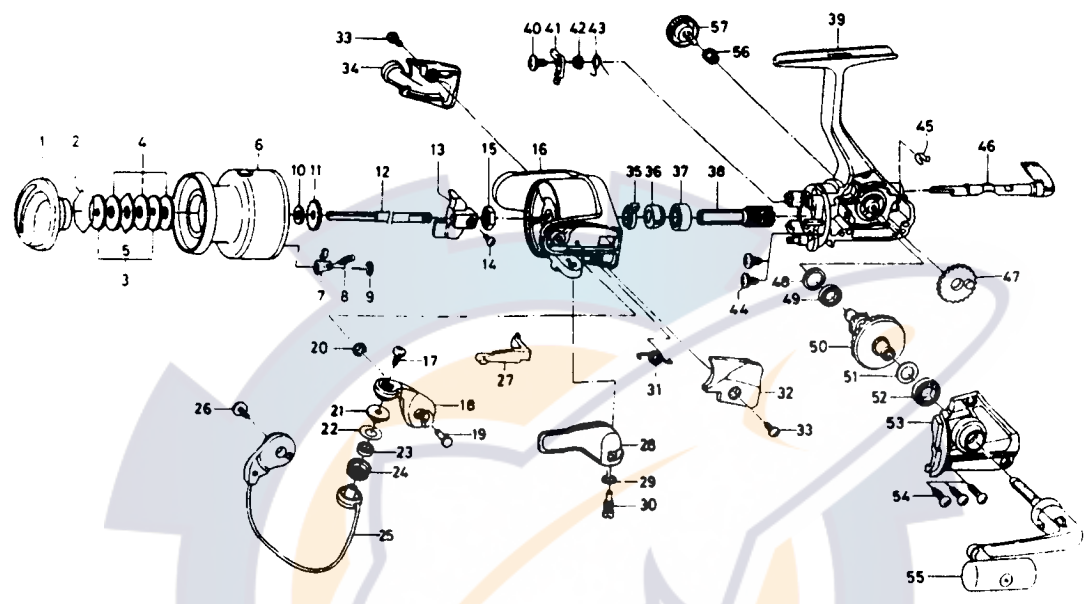


**SPINNING REEL REGAL-Z1505T/2005T**



Key No.	Parts No.	Parts Name	Key No.	Parts No.	Parts Name
2-9	F46-1501	Spool assembly	35	F12-2101	Anti-reverse pawl spring
1	F32-8505	Drag knob	36	E49-8501	Anti-reverse ratchet
2	F37-3301	Drag washer retainer	37	634-1301	Ball bearing B
3	E46-7201	Key washer	38	F12-1601	Pinion gear
4	E13-6001	Drag washer	39	F47-3303	Body assembly
5	373-3603	Eared washer	40	F12-5701	Anti-reverse pawl screw
6	F46-1601	Spool assembly	41	F12-1901	Anti-reverse pawl
7	B07-5304	Click pawl	42	F12-3501	Anti-reverse pawl collar
8	E40-3101	Click spring	43	F12-3401	Anti-reverse pawl spring
9	320-5901	Click retainer	44	E03-7801	Bearing retainer screw
10	E46-7101	Spool washer	45	F12-2001	Anti-reverse cam spring
11	270-6501	Click gear	46	F08-5123	Anti-reverse lever
12	F46-0801	Main shaft	47	F12-2201	Oscillating gear
13	F12-2301	Oscillating slider	48	E50-5801	Bearing washer
14	351-0311	Oscillating slider screw	49	E30-6801	Ball bearing C
15	341-9201	Rotor nut	50	F12-1501	Drive gear
16	F33-1405	Rotor assembly	51	375-8507	Drive gear washer
17	B67-9308	Line roller screw	52	634-1301	Ball bearing
18	F47-3801	Bail arm	53	F46-0902	Side cover
19	E49-3501	Bail arm screw	54	E15-8602	Side cover screw
20	320-5901	Bail arm screw retainer	55	F50-7401	Handle assembly
21	F44-6302	Line roller collar	56	F40-4801	Handle collar
22	F44-6201	Line roller washer	57	B92-5010	Handle lock screw
23	F05-5601	Ball bearing A			
24	F45-4902	Line roller			
25	F47-3901	Bail assembly			
26	B84-2102	Bail arm screw			
27	E49-6401	Bail trip lever			
28	E49-3407	Trigger lever			
29	E36-9901	Trigger spring			
30	E37-0002	Trigger screw			
31	E49-6801	Bail spring			
32	F32-4105	Bail spring cover			
33	E24-8101	Bail spring cover screw			
34	F32-6505	Bail trip cover			

Z2005T SPECIAL PARTS		
Key No.	Parts No.	Parts Name
2-9	F47-4301	Spool assembly
6	F47-4401	Spool assembly
16	F39-9805	Rotor assembly
25	F47-8201	Bail assembly
27	E49-6501	Bail trip lever
39	F12-1414	Body assembly
53	F46-0904	Side cover