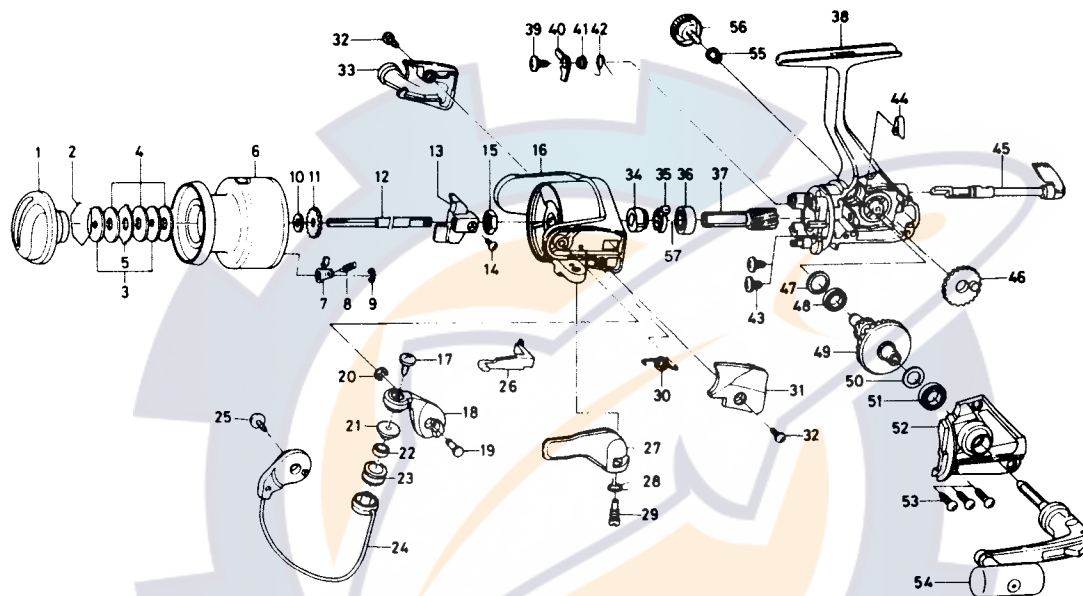




Please order by part number, not key number.

# SPINNING REEL REGAL-Z2505BL



Key NO.	Parts NO.	Parts Name	Key NO.	Parts NO.	Parts Name
2-9	F32-5503	Spool assembly	29	E41-7801	Trigger screw
1	F28-0904	Drag knob	30	F12-8901	Bail spring
2	171-7701	Drag washer retainer	31	F31-0503	Bail spring cover
3	E46-7201	Key washer	32	E24-8101	Bail spring cover screw
4	E13-6003	Drag washer	33	F31-0603	Bail trip cover
5	373-3603	Eared washer	34	E49-2402	Anti-reverse ratchet
6	F32-5603	Spool assembly	35	E38-5501	Anti-reverse pawl spring A
7	B07-5304	Click pawl	36	L03-6601	Ball bearing B
8	E40-3101	Click spring	37	E51-9801	Pinion gear
9	320-5901	Click retainer	38	F37-8901	Body assembly
10	E46-7101	Spool washer	39	L11-1801	Anti-reverse pawl screw
11	270-6501	Click gear	40	L01-4401	Anti-reverse pawl
12	E48-4301	Main shaft	41	L01-4302	Anti-reverse pawl collar
13	E45-1401	Oscillating slider	42	L00-1501	Anti-reverse pawl spring B
14	351-0315	Oscillating slider screw	43	E03-7801	Bearing retainer screw
15	341-9201	Rotor nut	44	E32-7801	Anti-reverse cam spring
16	F32-1003	Rotor	45	F08-5121	Anti-reverse lever
17	B67-9304	Line roller screw	46	E45-1301	Oscillating gear
18	F17-9803	Bail arm	47	E50-5801	Bearing washer
19	E49-3501	Bail arm screw	48	E30-6801	Ball bearing C
20	320-5901	Bail arm screw retainer	49	F17-0001	Drive gear
21	F06-6301	Line roller collar	50	373-7802	Drive gear washer
22	F05-5601	Ball bearing A	51	631-6901	Ball bearing D
23	F05-8901	Line roller	52	F37-9202	Side cover
24	F32-7401	Bail assembly	53	B00-9701	Side cover screw
25	B84-2102	Bail trip cam screw	54	F32-7001	Handle assembly
26	E45-1601	Bail trip lever	55	501-8501	Handle collar
27	F18-0003	Trigger lever	56	F03-5605	Handle lock screw
28	E36-9901	Trigger spring	57	375-8501	Pinion washer