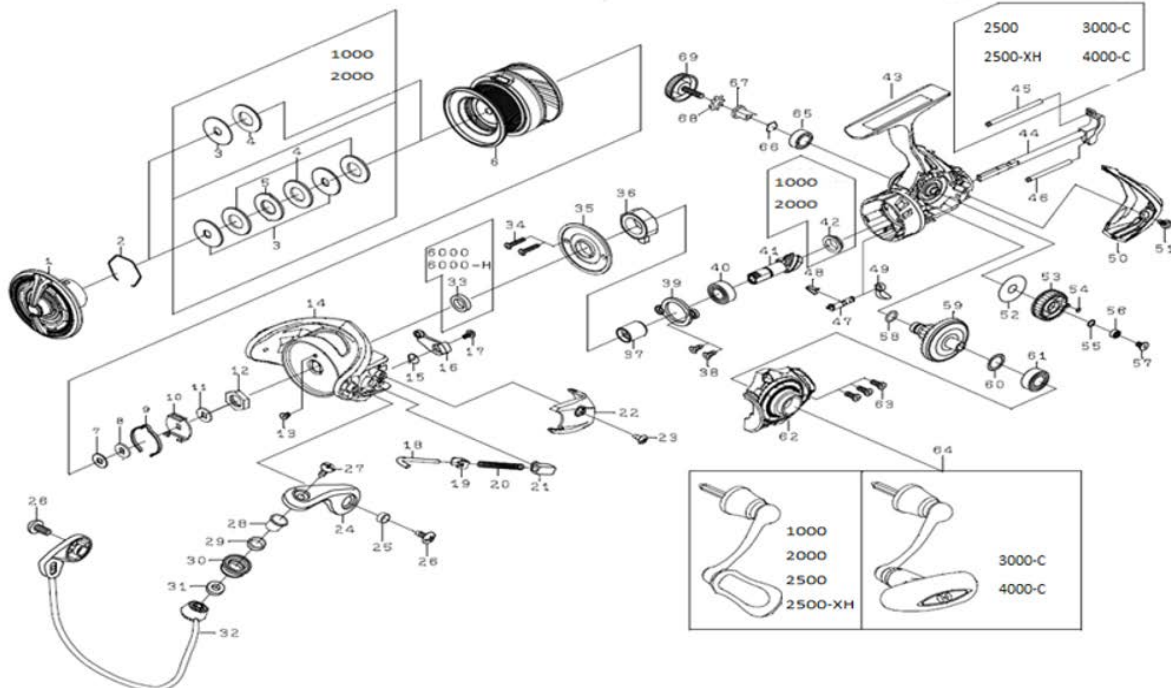




REVLT1000/2000/2500/2500-XD/3000-C/4000-C

*Please order by parts number, not key number.



Key No	Part No	Description
1	Q37-6801	DRAG KNOB
2	Q34-6101	DRAG RING
3	J54-7001	DRAG DISC WASHER
4	J54-6801	DRAG WASHER
5		
6	Q47-8301	SPOOL ASSEMBLY (2 - 6)
7	Q34-8502	SPOOL WASHER(A)
8	E39-8003	SPOOL WASHER(B)
9	Q45-7701	CLICK LEAF SPRING
10	Q45-7601	CLICK HOLDER
11	Q34-4001	CLICK HOLDER WASHER
12	Q12-2401	ROTOR NUT
13	H02-2701	ROTOR NUT SCREW
14	Q13-9520	ROTOR
15	H44-3301	KICK LEVER SPRING
16	Q13-9601	KICK LEVER
17	H41-7701	KICK LEVER SCREW
18	Q13-9801	ARM LEVER SHAFT
19	H57-6101	ARM LEVER PLATE
20	H44-2401	ARM LEVER SPRING
21	Q12-1501	ARM LEVER SPRING HOLDER
22	Q14-6501	ARM LEVER SPRING COVER
23	G20-5001	COVER SCREW
24	Q12-1606	ARM LEVER
25	Q12-1701	ARM LEVER COLLAR
27	G19-5602	ROLLAR SCREW
28	G19-5501	ROLLAR COLLAR(A)
29	G22-0701	ROLLAR COLLAR(B)
30	J08-9902	LINE ROLLER
31	Q20-3401	ROLLAR COLLAR(C)
32	Q16-7501	BAIL ASSEMBLY
34	G83-7101	SHIELD CAP SCREW
35	Q13-9401	SHEILD CAP
36	Q30-8301	ONEWAY CLUCH
37	J00-1401	CLUCH RING
38	Q12-6201	PINION BALL BEARING PLATE SCREW
39	Q19-5601	PINION BALL BEARING PLATE
40	G46-7302	PINION BALL BEARING
41	Q41-9301	PINION GEAR
42	Q41-9201	PINION COLLAR
43	Q47-8101	BODY
44	Q37-5301	MAIN SHAFT
46	Q11-9104	OSCILLATING POST(B)
47	Q11-8101	STOPPER CAM
48	H69-7801	STOPPER CAM SPRING
49	Q11-8001	STOPPER LEVER
50	Q41-9901	REAR CAP

Key No	Part No	Description
51	G27-0801	REAR CAP SCREW
52	H60-7902	OSCILLATING GEAR WASHER
53	Q37-5201	OSCILLATING GEAR
54	H77-0601	OSCILLATING GEAR ORING
55	H12-9201	OSCILLATING GEAR BEARING WASHER
56	G46-9005	OSCILLATING GEAR BALL BEARING
57	Q12-6101	OSCILLATING GEAR SCREW
58	G67-0501	DRIVE GEAR ORING
59	Q37-5901	DRIVE GEAR
60	375-8502	DRIVE WASHER
62	Q47-8201	BODY COVER
63	G11-5001	BODY COVER SCREW
64	Q47-8601	HANDLE ASSEMBLY
65	G52-2706	DRIVE BALL BEARING(B)
66	G47-2401	DRIVE BALL BEARING RING
67	F72-1001	HANDLE COLLAR
68	160-8401	HANDLE WASHER
69	Q13-2401	HANDLE SCREW

REVLT2000 Special Parts

Key No	Part No	Description
6	Q47-9001	SPOOL ASSEMBLY (2 - 6)

REVLT2500 Special Parts

Key No	Part No	Description
1	Q34-6201	DRAG KNOB
5	Q34-6001	DRAG LIP WASHER
6	Q47-7901	SPOOL ASSEMBLY(2-6)
14	Q34-3007	ROTOR
15	H41-3601	KICK LEVER SPRING
16	Q34-3101	KICK LEVER
18	Q34-3301	ARM LEVER SHAFT
20	J64-2801	ARM LEVER SPRING
22	Q34-3501	ARM LEVER SPRING COVER
32	Q45-7501	BAIL ASSEMBLY
39	H44-2201	PINION BALL BEARING PLATE
41	Q45-7201	PINION GEAR
43	Q47-7601	BODY
44	Q34-1501	MAIN SHAFT
45	Q12-6301	OSCILLATING POST(A)
46	Q11-9101	OSCILLATING POST(B)
50	Q12-0301	REAR CAP
52	H59-5701	OSCILLATING GEAR WASHER
53	Q13-9001	OSCILLATING GEAR
59	Q34-1901	DRIVE GEAR
62	Q47-7701	BODY COVER
64	Q47-7801	HANDLE ASSEMBLY

REVLT2500-XH Special Parts

Key No	Part No	Description
2~6	Q48-2401	SPOOL ASSEMBLY
41	Q45-7401	PINION GEAR
59	Q36-0501	DRIVE GEAR

REVLT3000-C Special Parts

Key No	Part No	Description
6	Q47-9701	SPOOL ASSEMBLY (2-6)
14	Q12-0519	ROTOR
16	Q12-0701	KICK LEVER
18	Q12-1201	ARM LEVER SHAFT
20	H54-5701	ARM LEVER SPRING
22	Q12-1801	ARM LEVER SPRING COVER
32	Q16-7801	BAIL ASSEMBLY
35	Q12-0101	SHEILD CAP
43	Q47-9501	BODY
44	Q46-1401	MAIN SHAFT
53	Q11-8401	OSCILLATING GEAR
64	Q47-9601	HANDLE ASSEMBLY

REVLT4000-C Special Parts

Key No	Part No	Description
1	Q35-2901	DRAG KNOB
2~6	Q48-0501	SPOOL
14	Q35-1806	ROTOR
16	Q35-1901	KICK LEVER
18	Q12-9501	ARMLEVER SHAFT
20	H41-4201	ARMLEVER SPRING
22	Q35-2101	ARMLEVER SPRING COVER
32	Q46-3801	BAIL
35	Q12-9001	ONEWAY CLUTCH PLATE
39	H41-1501	PINION BEARING PLATE
40	G53-5104	PINION BALL BEARING
41	Q46-3501	PINION GEAR
43	Q48-0201	BODY
44	Q35-1001	MAIN SHAFT
45	Q12-6302	OSCILLATING POST (A)
46	Q11-9102	OSCILLATING POST (B)
50	Q12-9101	REAR COVER
53	Q35-0901	OSCILLATING GEAR
54	G46-6001	OSCILLATING GEAR O-RING
59	Q35-1401	DRIVE GEAR
62	Q48-0301	BODY COVER
64	Q48-0401	HANDLE