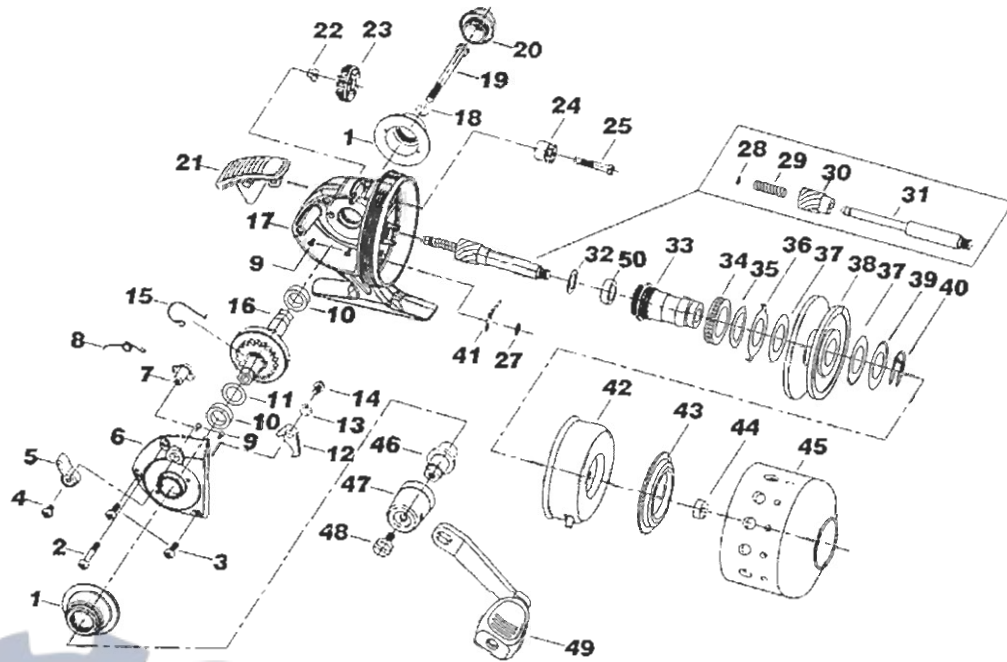


SILVERCAST 170



Key No.	Parts No.	Parts Name	Key No.	Parts No.	Parts Name
1	W31-5004	SIDE RING	27	W31-7901	RET
2	W31-5102	SIDE COVER SCREW A	28	W31-8001	SPRING RET
3	W31-5201	SIDE COVER SCREW B	29	W31-8101	MAIN SHAFT SPRING
4	W31-5301	A/R LEVER SCREW	30	W31-8211	PINION GEAR
5	W31-5401	A/R LEVER	31	W31-8402	MAIN SHAFT
6	W31-5611	SIDE COVER	32	W31-8501	MAIN SHAFT WASHER
7	W31-5702	A/R CAM	33	W31-8702	SPOOL METAL
8	W31-5801	A/R CAM SPRING	34	W31-8803	DRAG PLT
9	W31-5901	SIDE RING SCREW	35	W31-8902	DRAG SPRING WASHER
10	W31-6002	DRIVE GEAR BUSHING	36	W31-9003	EARED WASHER
11	W31-6101	DRIVE GEAR WASHER	37	W31-9102	DRAG WASHER
12	W31-6203	A/R PAWL	38	W31-9411	SPOOL
13	W31-6301	A/R PAWL WASHER	39	W31-9502	KEY WASHER
14	W31-6401	A/R PAWL SCREW	40	W31-9602	SPOOL RET
15	W31-6502	A/R PAWL SPRING	41	W31-9701	CLICK SPRING
16	W31-6611	DRIVE GEAR	42	W32-0011	ROTOR
17	W31-6911	BODY	43	W32-0202	LINE STOPPER
18	W31-7001	HANDLE WASHER	44	W32-0301	ROTOR NUT
19	W31-7102	HANDLE SCREW B	45	W32-0611	FRONT COVER
20	W31-7201	HANDLE SCREW CAP	46	W32-0701	HANDLE METAL
21	W31-7311	PUSH BUTTON	47	W32-0801	HANDLE STAND
22	W31-7401	DRAG COLLAR	48	W32-0901	HANDLE SCREW A
23	W31-7501	DRAG DIAL	49	W32-1011	HANDLE
24	W31-7602	DRIVE GEAR A	50	W31-6012	BALL BEARING
25	W31-7702	DRIVE GEAR SCREW			