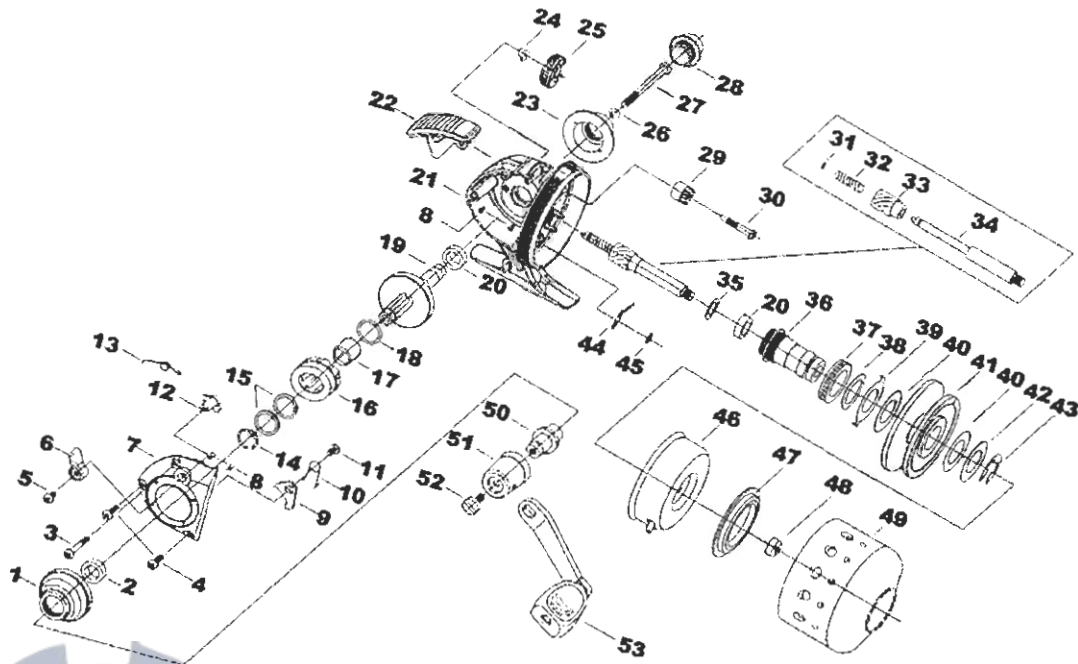


**SC80Plus / SC100Plus / SC120Plus**



| Key No. | Parts No. | Parts Name          |
|---------|-----------|---------------------|
| 1       | W31-5003  | SIDE RING A         |
| 2       | W31-6021  | BALL BEARING A      |
| 3       | W31-5101  | SIDE COVER SCREW A  |
| 4       | W31-5201  | SIDE COVER SCREW B  |
| 5       | W31-5301  | A/R LEVER SCREW     |
| 6       | W31-5401  | A/R LEVER           |
| 7       | W31-5503  | SIDE COVER          |
| 8       | W31-5901  | SIDE RING SCREW     |
| 9       | W31-6202  | A/R PAWL            |
| 10      | W31-6551  | A/R PAWL SPRING     |
| 11      | W31-6401  | A/R PAWL SCREW      |
| 12      | W31-5701  | A/R CAM             |
| 13      | W31-5801  | A/R CAM SPRING      |
| 14      | W31-6101  | DRIVE GEAR WASHER A |
| 15      | W32-1101  | DRIVE GEAR WASHER B |
| 16      | W32-1201  | ROLLER CLUTCH       |
| 17      | W32-1301  | SPACING SLEEVE      |
| 18      | W32-1401  | DRIVE GEAR WASHER C |
| 19      | W31-6602  | DRIVE GEAR          |
| 20      | W31-6011  | BALL BEARING B      |
| 21      | W31-6705  | BODY                |
| 22      | W31-7301  | PUSH BUTTON         |
| 23      | W31-5001  | SIDE RING B         |
| 24      | W31-7401  | DRAG DIAL COLLAR    |
| 25      | W31-7501  | DRAG DIAL           |
| 26      | W31-7001  | HANDLE WASHER       |
| 27      | W31-7101  | HANDLE SCREW B      |
| 28      | W31-7201  | HANDLE SCREW CAP    |
| 29      | W31-7601  | DRIVE GEAR A        |
| 30      | W31-7701  | DRIVE GEAR SCREW    |
| 31      | W31-8001  | RET                 |
| 32      | W31-8101  | MAIN SHAFT SPRING   |
| 33      | W31-8201  | PINION GEAR         |
| 34      | W31-8301  | MAIN SHAFT          |
| 35      | W31-8501  | MAIN SHAFT WASHER   |
| 36      | W31-8601  | SPOOL METAL         |
| 37      | W31-8802  | DRAG PLT            |

| Key No. | Parts No. | Parts Name         |
|---------|-----------|--------------------|
| 38      | W31-8901  | DRAG SPRING WASHER |
| 39      | W31-9002  | EARED WASHER       |
| 40      | W31-9101  | DRAG WASHER        |
| 41      | W31-9201  | SPOOL              |
| 42      | W31-9501  | KEY WASHER         |
| 43      | W31-9601  | SPOOL RET          |
| 44      | W31-9701  | CLICK SPRING       |
| 45      | W31-7901  | SPRING RET         |
| 46      | W31-9801  | ROTOR              |
| 47      | W32-0101  | LINE STOPPER       |
| 48      | W32-0301  | ROTOR NUT          |
| 49      | W32-0403  | FRONT COVER        |
| 50      | W32-0701  | HANDLE METAL       |
| 51      | W32-0801  | HANDLE STAND       |
| 52      | W32-0901  | HANDLE SCREW A     |
| 53      | W32-1001  | HANDLE             |

**SPECIAL PART FOR SC100P**

| Key No. | Parts No. | Parts Name   |
|---------|-----------|--------------|
| 7       | W31-5603  | SIDE COVER   |
| 21      | W31-6805  | BODY         |
| 41      | W31-9301  | SPOOL        |
| 46      | W31-9901  | ROTOR        |
| 47      | W32-0201  | LINE STOPPER |
| 49      | W32-0503  | FRONT COVER  |

**SPECIAL PART FOR SC120P**

| Key No. | Parts No. | Parts Name   |
|---------|-----------|--------------|
| 7       | W31-5603  | SIDE COVER   |
| 21      | W31-6905  | BODY         |
| 34      | W31-8401  | MAIN SHAFT   |
| 36      | W31-8701  | SPOOL METAL  |
| 41      | W31-9401  | SPOOL        |
| 46      | W32-0001  | ROTOR        |
| 47      | W32-0201  | LINE STOPPER |
| 49      | W32-0603  | FRONT COVER  |