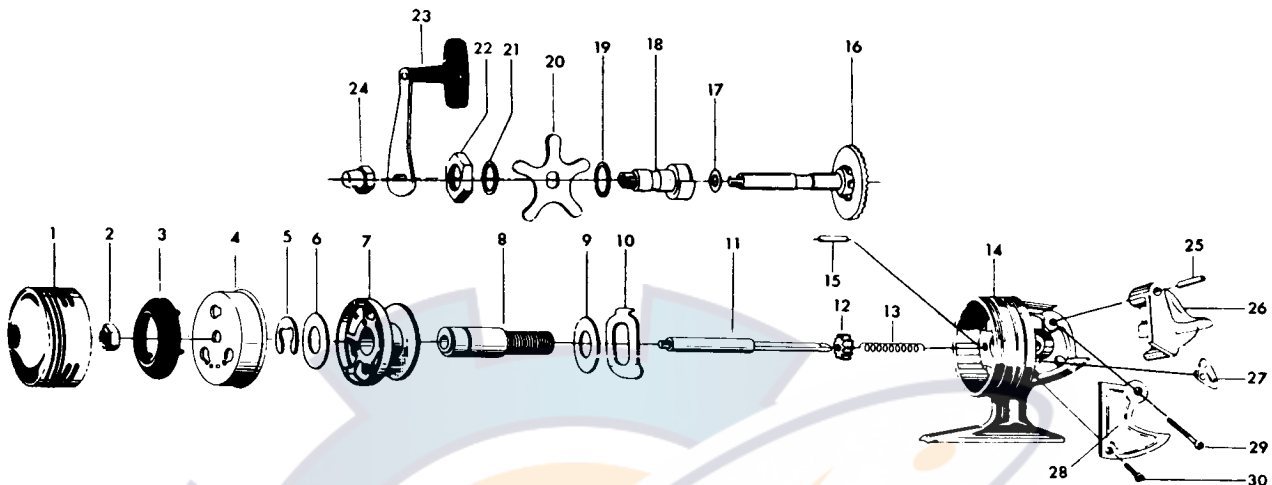


SPINCASTING REEL **9850A**



**SPOOL LINE CAPACITY: 120 YDS., 15 LB. TEST (110m. 6.8kg)**

Key No.	Parts No.	Parts Name	Price Per Piece	Key No.	Parts No.	Parts Name	Price Per Piece
1	6-005-8501	Front cover	\$4.40	16	6-411-4311	Drive gear	\$1.10
2	6-340-9211	Rotor nut	.20	17	6-370-0350	Drive gear washer	.10
3	6-330-0111	Line stopper	.25	18	6-460-3701	Anti-reverse cam	1.50
4	6-005-8201	Rotor	2.55	19	6-371-6420	Star drag washer	.10
5	6-320-0351	Spool retainer	.15	20	6-550-1311	Star drag	1.00
6	6-372-1413	Spool washer	.10	21	6-371-2820	Star drag washer	.10
7	6-511-3341	Spool	2.50	22	6-340-9501	Star drag nut	.30
8	6-380-7741	Shaft metal	2.05	23	6-005-8401	Handle	1.40
9	6-372-1411	Spool washer	.10	24	6-340-9701	Handle nut	.40
10	6-150-4931	Drag adjusting plate	.40	25	6-500-2501	Push button sleeve	.30
11	6-391-0721	Main shaft	1.10	26	6-290-4421	Push button	1.00
12	6-400-0921	Pinion	.75	27	6-005-7701	Anti-reverse claw	.45
13	6-141-2621	Main shaft spring	.10	28	6-060-8911	Body cover	.95
14	6-006-6011	Body	10.15	29	6-351-4101	Body cover screw (long)	.10
15	6-120-5221	Drag pin	.15	30	6-351-1001	Body cover screw (short)	.10