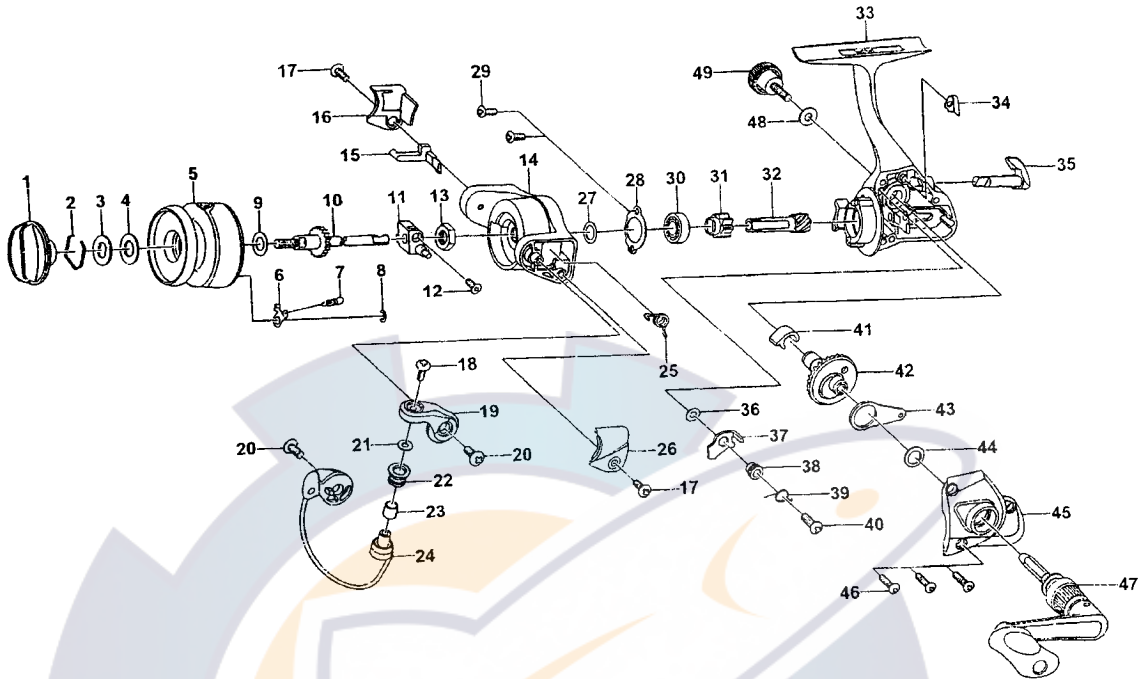


# SPINMATIC-S500T



**Key No. Parts No.**

Key No.	Parts No.	Parts Name
2-8	F68-2401	SPOOL
1	F67-0801	DRAG KNOB
2	F66-7901	DRAG WASHER RET
3	F66-7801	KEY WASHER
4	F66-7701	DRAG WASHER
6	F66-7601	CLICK PAWL
7	144-1211	CLICK SPRING
8	B86-4101	CLICK RET
9	F66-7001	SPOOL WASHER
10	F66-6401	MAIN SHAFT
11	E32-0601	OSC SUPPORT
12	E15-0203	OSC SUPPORT SCREW
13	342-4001	ROTOR NUT
14	F66-5103	ROTOR
15	F66-5501	BAIL TRIP LEVER
16	F66-5603	BAIL TRIP COVER
17	F66-5401	BAIL TRIP COVER SCREW
18	352-2501	LINE ROLLER SCREW
19	F66-5202	BAIL ARM
20	351-6101	BAIL HOLDER SCREW
21	B55-4301	LINE ROLLER WASHER
22	F66-6001	LINE ROLLER
23	B45-1501	LINE ROLLER COLLAR
24	F66-5702	BAIL
25	E32-0201	BAIL SPRING

**Key No. Parts No.**

Key No.	Parts No.	Parts Name
26	F66-5303	BAIL SPRING COVER
27	B12-8701	ROTOR WASHER
28	F66-5001	BEARING RET
29	B96-7601	BEARING RET SCREW
30	E18-2801	BALL BEARING A
31	F66-4901	A/R RATCHET
32	F66-4801	PINION GEAR
33	F67-0201	BODY
34	F66-4501	A/R CAM SPRING
35	F66-4401	A/R LEVER
36	E15-3101	A/R PAWL WASHER
37	F66-4601	A/R PAWL
38	E03-3001	A/R PAWL COLLAR
39	F66-4701	A/R PAWL SPRING
40	B00-8601	A/R PAWL SCREW
41	F66-6201	A/R PAWL SPRING B
42	F66-6101	DRIVE GEAR
43	F66-6501	OSC SLIDER
44	375-8502	DRIVE GEAR WASHER
45	F67-0301	SIDE COVER
46	E13-0501	SIDE COVER SCREW
47	F67-0401	HANDLE
48	F02-0201	HANDLE LOCK WASHER
49	E03-5504	HANDLE LOCK SCREW