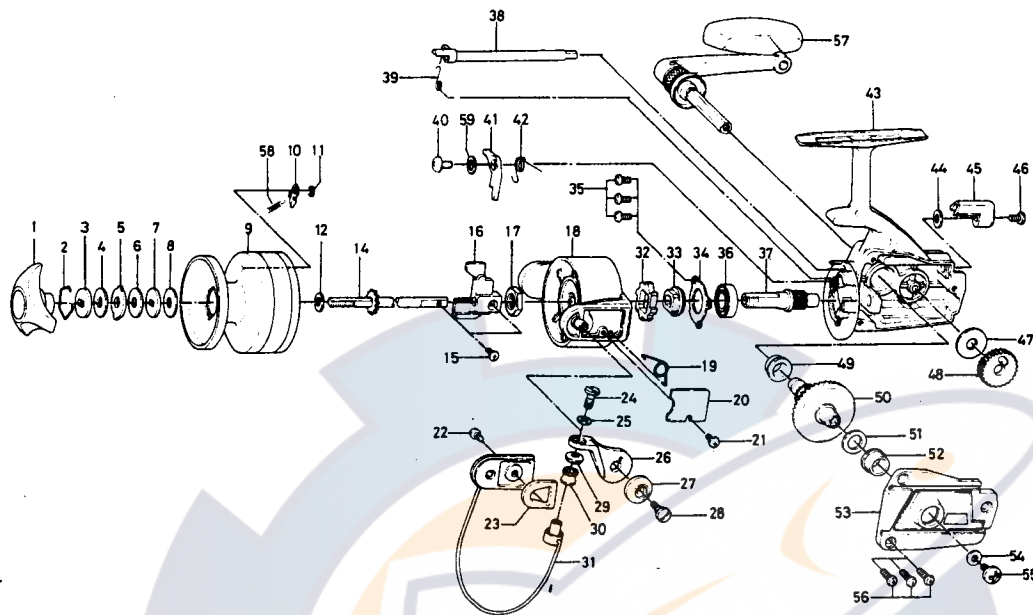


SPINNING REEL **1600C**



KEY NO. 2 ~ 11 & 58
6-B26-0501

SPOOL ASSEMBLY

Key No.	Parts No.	Parts Name	Key No.	Parts No.	Parts Name
1	6-740-2103	Drag knob	31	6-725-7201	Bail
2	6-170-4001	Drag washer retainer	32	6-280-9501	Ratchet
3	6-373-2502	Drag D washer	33	6-636-6711	Click gear
4	6-374-2901	Disc washer	34	6-635-9901	Ball bearing ret. washer
5	6-375-5301	Drag A washer	35	6-351-6601	Ball bearing ret. washer screw
6	6-374-2901	Disc washer	36	6-635-4801	Ball bearing
7	6-373-2502	Drag D washer	37	6-402-8311	Pinion gear
8	6-370-6901	Drag washer A	38	6-461-5002	Anti-reverse cam
9	6-B18-0401	Spool	39	6-144-0321	Anti-reverse cam spring
10	6-B07-5302	Spool click claw	40	6-353-8201	Anti-reverse claw screw
11	6-320-5902	Spool click claw retainer	41	6-111-7501	Anti-reverse claw
12	6-371-8331	Spool washer	42	6-144-9701	Anti-reverse claw spring
14	6-711-2601	Main shaft	43	6-701-0305	Body
15	6-351-5311	Oscillating slider screw	44	6-373-2700	Anti-reverse lever washer
16	6-481-2001	Oscillating slider	45	6-541-1901	Anti-reverse lever
17	6-340-8301	Rotor nut	46	6-352-2501	Anti-reverse lever screw
18	6-202-0002	Rotor	47	6-375-0900	Oscillating gear washer
19	6-144-9801	Bail spring — 6-143-5311	48	6-413-1201	Oscillating gear
20	6-632-6411	Bail spring cover	49	6-501-6201	Bearing metal
21	6-352-2501	Bail spring cover screw	50	6-414-0601	Drive gear
22	6-351-6601	Bail holder screw	51	6-371-2800	Drive gear washer
23	6-210-3111	Balancer	52	6-501-6201	Bearing metal
24	6-353-1811	Bail screw	53	6-706-6604	Body cover
25	6-375-1001	Bail washer	54	6-371-9521	Handle washer
26	6-231-1811	Arm lever	55	6-351-3631	Handle screw
27	6-130-3201	Bail holder cap	56	6-351-8501	Body cover screw
28	6-363-1901	Arm lever screw	57	6-747-2811	Handle
29	6-501-1601	Roller collar	58	6-144-1211	Spool click claw spring
30	6-250-4221	Line roller	59	6-375-5803	Anti-reverse claw washer