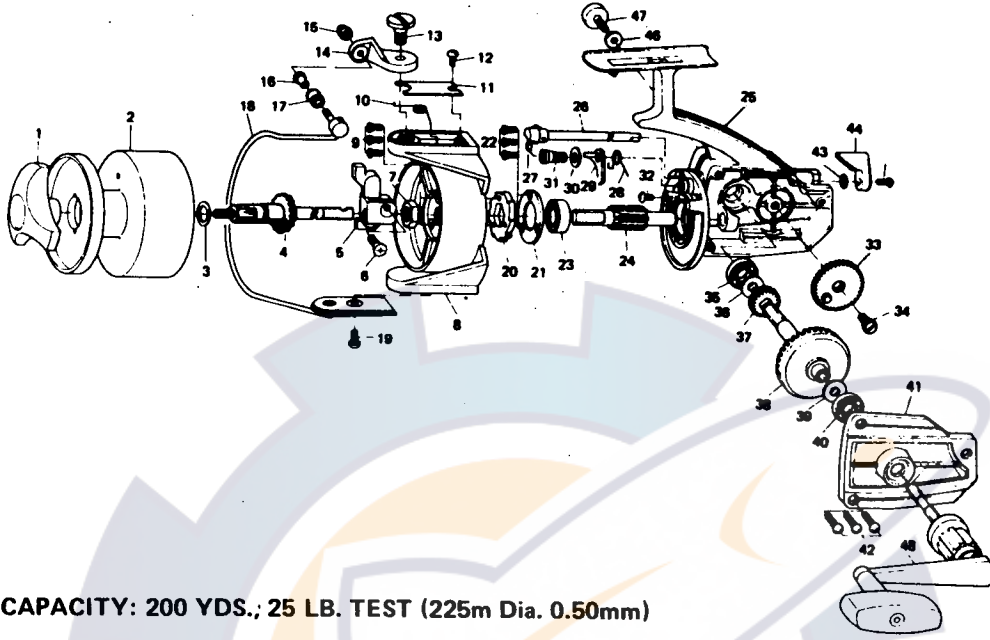


**SPINNING REEL**

**7000c**



**LINE CAPACITY: 200 YDS.; 25 LB. TEST (225m Dia. 0.50mm)**

Key No.	Parts No.	Parts Name	Key No.	Parts No.	Parts Name
1	60008232	Drag knob	25	67001407	Body
2	67309001	Spool assembly	26	67101821	Anti-reverse cam
3	63729601	Spool washer	27	61423511	Anti-reverse cam spring
4	67106201	Main shaft	28	61423421	Anti-reverse claw spring
5	64807601	Oscillating slider	29	61109501	Anti-reverse claw
6	63519001	Oscillating slider screw	30	63732701	Anti-reverse claw washer
7	63408301	Rotor nut	31	63624201	Anti-reverse claw screw
8	62012001	Rotor	32	63516102	Anti-reverse cam screw
9	63518901	Ratchet screw	33	67500411	Oscillating gear
10	61435501	Bail spring	34	63619011	Oscillating gear screw
11	66346801	Bail spring cover	35	66317611	Ball bearing
12	63516102	Bail spring cover screw	36	63712822	Drive gear washer (A)
13	63617011	Arm lever screw	37	64016501	Oscillating pinion
14	62310601	Arm lever	38	64123201	Drive gear
15	63408501	Bail nut	39	63712820	Drive gear washer (B)
16	65007111	Roller collar	40	66317611	Ball bearing
17	62502802	Line roller	41	67051406	Body cover
18	67200212	Bail	42	63518801	Body cover screw
19	63516401	Bail holder screw	43	63729911	Anti-reverse lever washer
20	62804001	Patchet	44	65408201	Anti-reverse lever
21	66331101	Ball bearing ret. washer	45	63511801	Anti-reverse lever screw
22	63518901	Ball bearing ret. washer screw	46	63723501	Handle washer
23	66331001	Ball bearing	47	63612211	Handle screw
24	64016401	Pinion	48	67451831	Handle