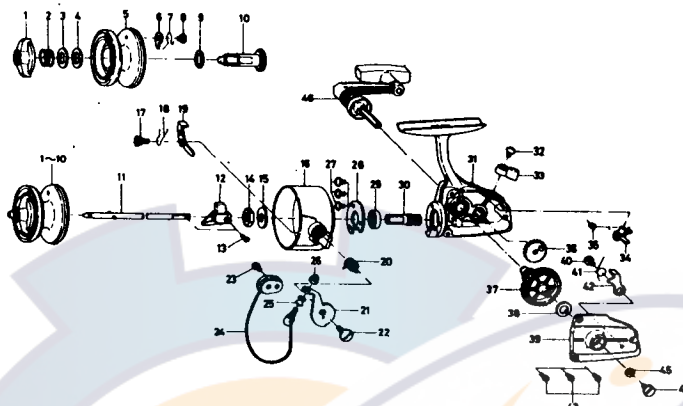




SPINNING REEL

7150HRL

LINE CAPACITY: 300 YDS. 6 LB. TEST (240m Dia. 0.23mm)

Key No.	Parts No.	Parts Name	Key No.	Parts No.	Parts Name
1	64414201	Drag knob	24	67253301	Bail
2	61418721	Coil spring	25	62501901	Line roller
3	63736401	Disc washer	26	63412701	Bail nut
4	63736501	Washer	27	63501931	Ball bearing retaining washer screw
5	65134211	Spool	28	66335501	Ball bearing retaining washer
6	60304101	Click claw	29	66341301	Ball bearing
7	61437411	Click claw spring	30	64022201	Pinion
8	63630711	Click claw spring screw	31	67006902	Body
9	63714902	Spool washer	32	63501931	Anti-reverse lever screw
10	67200111	Spool metal	33	65413101	Anti-reverse lever
11	67109701	Main shaft	34	64606821	Anti-reverse cam
12	64810511	Oscillating slider	35	61422801	Anti-reverse cam spring
13	63510311	Oscillating slider screw	36	64132601	Oscillating gear
14	63419201	Rotor nut	37	64130201	Drive gear
15	63753101	Rotor retaining washer	38	63705150	Drive gear washer
16	62011311	Rotor	39	60628801	Body cover
17	63618202	Bail kick lever screw	40	63517701	Anti-reverse claw screw
18	61434801	Bail kick lever spring	41	61439601	Anti-reverse claw spring
19	65707101	Bail kick lever	42	61113401	Anti-reverse claw
20	61437011	Bail spring	43	63511001	Body cover screw
21	62310401	Arm lever	44	63515531	Handle screw
22	63618532	Arm lever screw	45	63724601	Handle washer
23	63516601	Bail holder screw	46	67461311	Handle

Sold
as
one
unit
(67314311)

DarwaPage
22Date
12-75Rev. No.
00