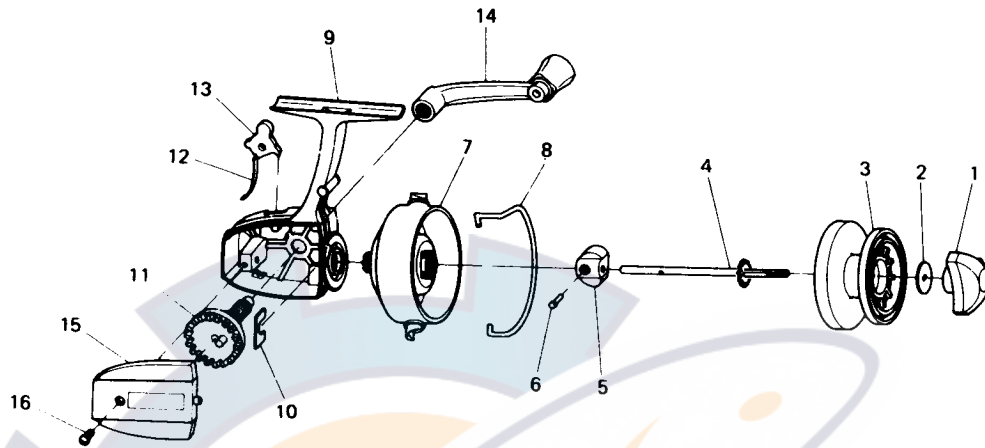


SPINNING REEL **7270A**



LINE CAPACITY: 200 YDS., 8 LB. TEST (185m. 3.6kg)

Key No.	Parts No.	Parts Name	Price Per Piece	Key No.	Parts No.	Parts Name	Price Per Piece
1	6-441-3501	Drag knob	\$.55	9	6-192-3801	Body	\$2.00
2	6-374-7901	Drag washer	.10	10	6-632-4011	Pinion retainer	.10
3	6-730-8001	Spool	1.50	11	6-412-8901	Drive gear	.70
4	6-710-5301	Main shaft	.55	12	6-150-6201	Anti-reverse claw spring	.10
5	6-480-5101	Oscillating slider	.10	13	6-110-4711	Anti-reverse claw	.10
6	6-490-4411	Oscillating slider pin	.10	14	6-745-7501	Handle	1.15
7	6-735-2501	Rotor	2.05	15	6-705-6705	Body cover	.25
8	6-220-2331	Bail	.50	16	6-351-7001	Body cover screw	.10