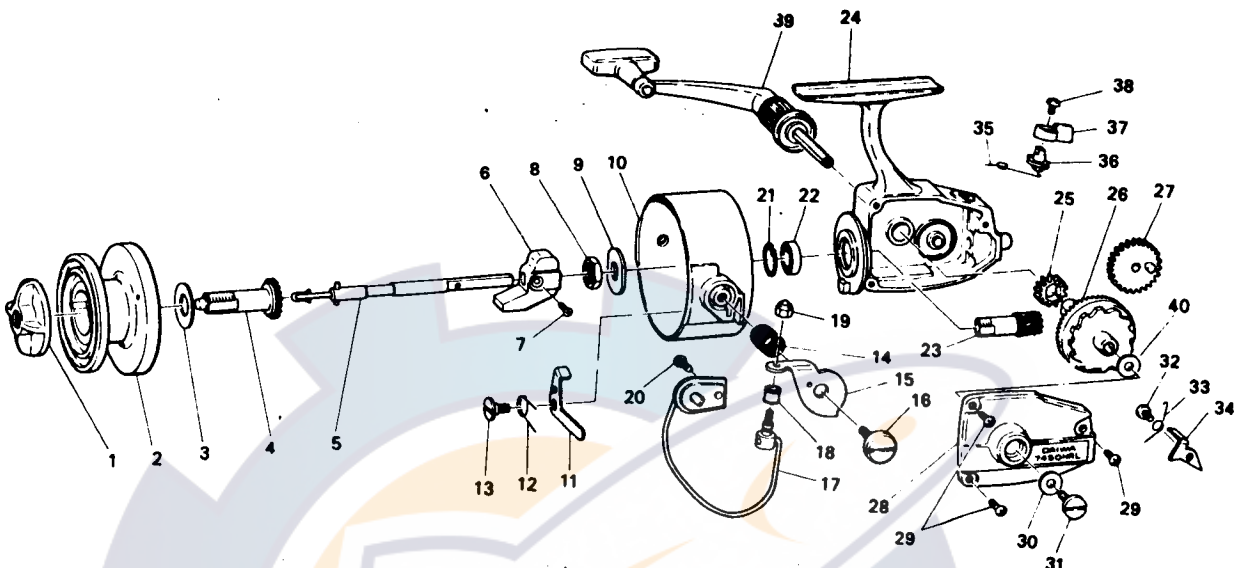




# SPINNING REEL 7450HRL



LINE CAPACITY: 255 YDS., 10 LB. TEST (290m Dia. 0.30mm)

Key No.	Parts No.	Parts Name	Key No.	Parts No.	Parts Name
1	60078414	Drag knob	21	63202911	Ball bearing retaining ring
2	60078632	Spool assembly	22	66316901	Ball bearing
3	63731502	Spool washer	23	64013901	Pinion
4	60078561	Spool metal	24	60076141	Body
5	60076451	Main shaft	25	64013701	Oscillating pinion
6	64806301	Oscillating slider	26	64120211	Drive gear
7	63521501	Oscillating slider screw	27	64014801	Oscillating gear
8	63405842	Rotor nut	28	60076501	Body cover
9	63729202	Rotor retaining washer	29	63521601	Body cover screw
10	62010211	Rotor	30	63724601	Handle washer
11	65706411	Bail kick lever	31	63515531	Handle screw
12	61425321	Bail kick lever spring	32	63501931	Anti-reverse claw screw
13	63612901	Bail kick lever screw	33	61425411	Anti-reverse claw spring
14	61409221	Bail spring	34	61107401	Anti-reverse claw
15	62308301	Arm lever	35	61422801	Anti-reverse cam spring
16	63616611	Arm lever screw	36	64606821	Anti-reverse cam
17	60076201	Bail	37	65403711	Anti-reverse lever
18	62501901	Line roller	38	63501931	Anti-reverse lever screw
19	63409101	Bail nut	39	60076653	Handle
20	63516401	Bail holder screw	40	63705150	Drive gear washer