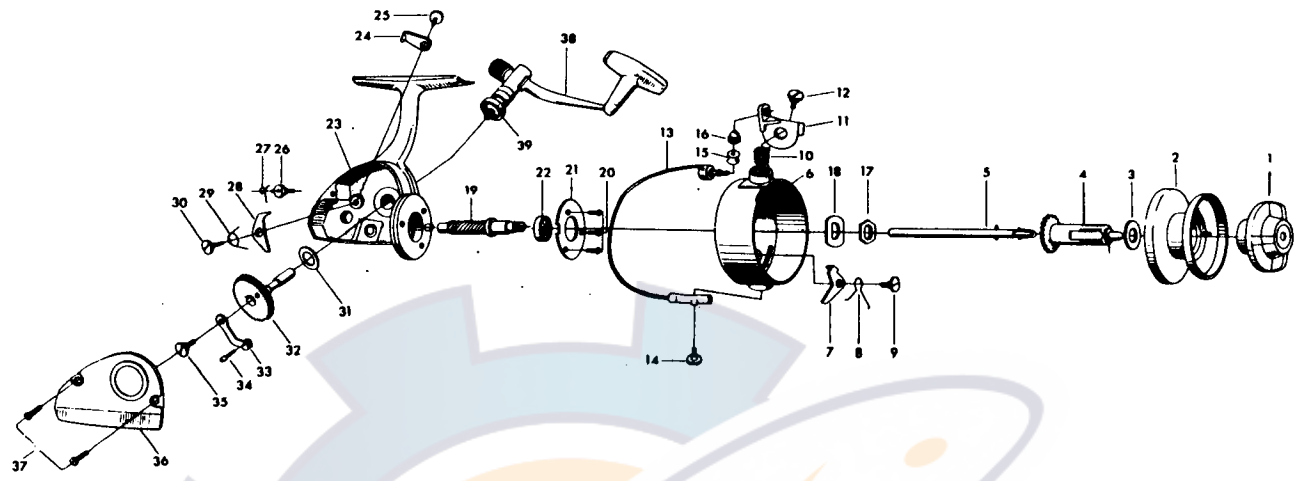




SPINNING REEL 8100A



LINE CAPACITY: 200 YDS., 6 LB. TEST (200m Dia. 0.23mm)

Key No.	Parts No.	Parts Name	Key No.	Parts No.	Parts Name
1	60021742	Drag knob	21	66328501	Ball bearing retaining washer
2	67305321	Spool assembly	22	66317611	Ball bearing
3	63727501	Spool washer	23	61904701	Body
4	60028531	Spool metal	24	65405101	Anti-reverse lever
5	60021231	Main shaft	25	63501931	Anti-reverse lever screw
6	60021341	Rotor	26	64605601	Anti-reverse cam
7	65705001	Bail kick lever	27	61417201	Anti-reverse cam spring
8	61418801	Bail kick lever spring	28	61105501	Anti-reverse claw
9	63614701	Bail kick lever screw	29	61418511	Anti-reverse claw spring
10	61419511	Bail spring	30	63614701	Anti-reverse claw screw
11	62306001	Arm lever	31	63712826	Drive gear washer
12	63615811	Arm lever screw	32	67501501	Drive gear
13	60026311	Bail	33	64804611	Oscillating slider
14	63615001	Bail holder screw	34	61207922	Oscillating slider pin
15	62501902	Line roller	35	63615311	Oscillating slider screw
16	63409101	Bail nut	36	60021802	Body cover
17	63405842	Rotor nut	37	63511101	Body cover screw
18	63726801	Rotor retaining washer	38	67456501	Handle
19	64010911	Pinion	39	66356801	Handle cover
20	63516501	Ball bearing retaining washer screw			