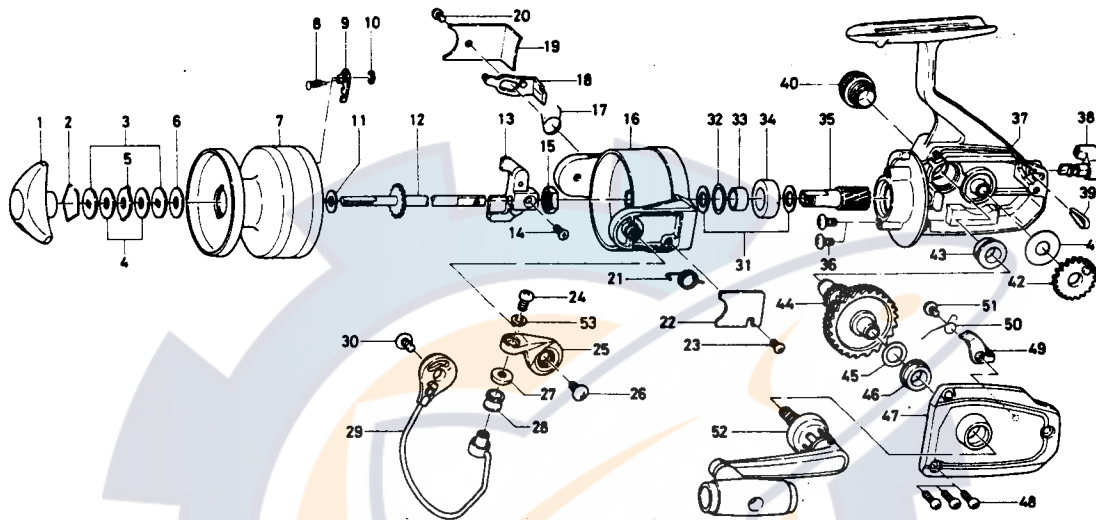


SPINNING REEL **A-250X**



| Key No. | Parts No. | Parts Name |
|---------|------------|-----------------------------|
| 1 | 6-740-2103 | Drag knob |
| 2 | 6-170-4001 | Drag washer retainer |
| 3 | 6-373-2502 | Drag D washer |
| 4 | 6-374-2901 | Disc washer |
| 5 | 6-375-5301 | Drag A washer |
| 6 | 6-370-6901 | Drag washer A |
| 7 | 6-734-1703 | Spool |
| 8 | 6-145-2101 | Spool click claw spring |
| 9 | 6-B07-8201 | Spool click claw |
| 10 | 6-320-1402 | Spool click claw retainer |
| 11 | 6-374-9001 | Spool washer |
| 12 | 6-B19-7901 | Main shaft |
| 13 | 6-481-2211 | Oscillating slider |
| 14 | 6-351-8901 | Oscillating slider screw |
| 15 | 6-B10-5701 | Rotor nut |
| 16 | 6-B19-7101 | Rotor |
| 17 | 6-B18-4701 | Bail kick lever spring |
| 18 | 6-B19-7501 | Bail kick lever |
| 19 | 6-B19-7601 | Bail kick lever cover |
| 20 | 6-352-0402 | Bail kick lever cover screw |
| 21 | 6-B19-7201 | Bail spring |
| 22 | 6-B19-7401 | Bail spring cover |
| 23 | 6-352-0402 | Bail spring cover screw |
| 24 | 6-B11-2801 | Bail screw |
| 25 | 6-B19-7301 | Arm lever |
| 26 | 6-352-1103 | Arm lever screw |
| 27 | 6-501-2001 | Roller collar |

| Key No. | Parts No. | Parts Name |
|---------|------------|---------------------------|
| 28 | 6-250-4321 | Line roller |
| 29 | 6-B19-7701 | Bail |
| 30 | 6-352-1103 | Bail holder screw |
| 31 | 6-371-2822 | Pinion washer A |
| 32 | 6-372-8600 | Pinion washer B |
| 33 | 6-501-5101 | Pinion collar |
| 34 | 6-636-2611 | Shaft metal |
| 35 | 6-402-4511 | Pinion gear |
| 36 | 6-353-8202 | Shaft metal screw |
| 37 | 6-B19-6801 | Body |
| 38 | 6-B18-4101 | Anti-reverse lever |
| 39 | 6-B11-4301 | Anti-reverse lever spring |
| 40 | 6-B07-4704 | Handle screw cap |
| 41 | 6-374-6600 | Oscillating gear washer |
| 42 | 6-413-2212 | Oscillating gear |
| 43 | 6-B07-3301 | Bearing metal |
| 44 | 6-413-8401 | Drive gear |
| 45 | 6-371-2800 | Drive gear washer |
| 46 | 6-B07-3301 | Bearing metal |
| 47 | 6-B19-8101 | Body cover |
| 48 | 6-351-5904 | Body cover screw |
| 49 | 6-110-9622 | Anti-reverse claw |
| 50 | 6-144-2801 | Anti-reverse claw spring |
| 51 | 6-351-6102 | Anti-reverse claw screw |
| 52 | 6-B19-8401 | Handle |
| 53 | 6-B11-2701 | Bail washer |