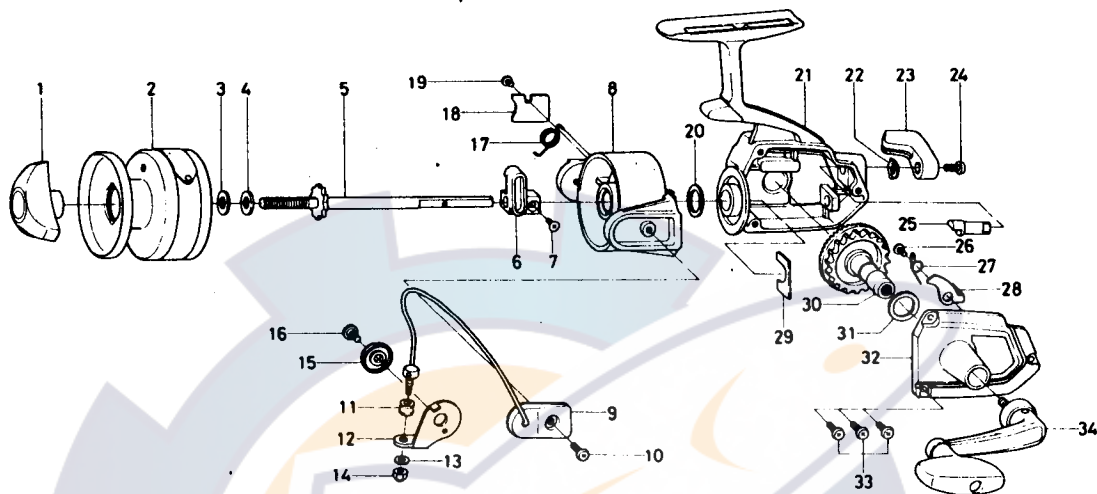


SPINNING REEL **B-130**



LINE CAPACITY: 200 YDS. 8 LB. TEST (180m Dia. 0.27mm)

Key No.	Parts No.	Parts Name	Key No.	Parts No.	Parts Name
1	67402702	Drag knob	18	66341501	Bail spring cover
2	67315601	Spool assembly	19	63511801	Bail spring cover screw
3	63749000	Spool washer A	20	63728600	Rotor washer
4	63749002	Spool washer B	21	67007502	Body
5	67109901	Main shaft	22	61501751	Anti-reverse lever washer
6	64811111	Oscillating slider	23	65413311	Anti-reverse lever
7	63521501	Oscillating slider screw	24	63518301	Anti-reverse lever screw
8	67361301	Rotor	25	64607041	Anti-reverse cam
9	67256201	Bail	26	63517701	Anti-reverse claw screw
10	63516601	Bail holder screw	27	61442801	Anti-reverse claw spring
11	62501901	Line roller	28	61114501	Anti-reverse claw
12	62308812	Arm lever	29	66326601	Pinion retainer
13	61600121	Bail washer	30	64133301	Drive gear
14	63410801	Bail nut	31	63712820	Drive gear washer
15	61303201	Bail holder cap	32	67061301	Body cover
16	63631901	Arm lever screw	33	63516401	Body cover screw
17	61426711	Bail spring	34	67462001	Handle

Daiwa

Page
16

Date
12-75

Rev. No.
00