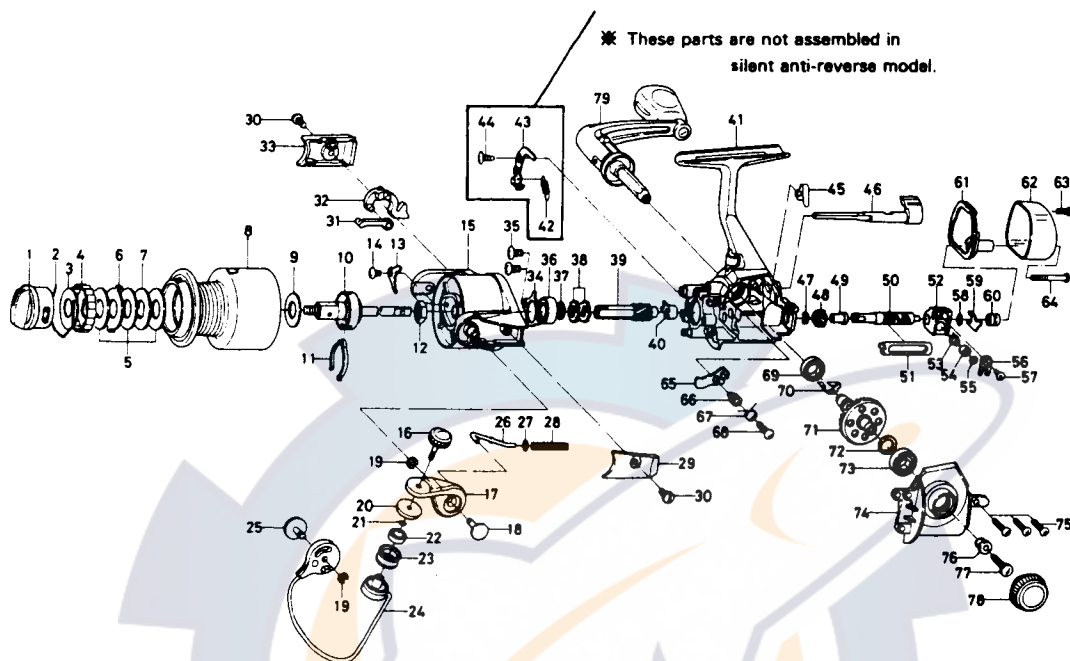


SPINNING REEL — EX750



Key No. 2-8

Key No.	Part No.	Part Name	Price
	F01-7401	Spool assembly	83.50
1	F01-8101	Drag knob	26.50
2	F06-2601	Drag washer retainer	.95
3	F01-6001	Click plate washer	1.40
4	E12-2803	Drag knob click plate	5.10
5	B36-0204	Drag washer	.95
6	E15-0101	Eared washer	.75
7	B65-2302	Key washer	1.20
8	F01-7501	Spool assembly	N/A
9	F06-2701	Spool washer	1.40
10	F01-5501	Main shaft assembly	23.20
11	B74-7702	Spool click lear spring	.45
12	341-9204	Rotor nut	1.95
13	B99-5101	Rotor nut holding plate	.60
14	350-8912	Rotor nut holding plate screw	.40
15	F04-9801	Rotor	28.40
16	F01-5001	Line roller screw	6.50
17	F01-3401	Bail arm	2.50
18	F01-3501	Bail arm screw	2.50
19	320-5901	Bail arm screw retainer	.50
20	F01-4901	Line roller collar	2.85
21	B85-3101	"O" ring	.60
22	F05-5601	Ball bearing A	9.25
23	F06-3201	Line roller	37.80
24	F01-3801	Bail	13.60
25	F01-4501	Bail trip cam screw	2.50
26	E11-5801	Bail spring shaft	1.50
27	E11-5901	Bail spring washer	.60
28	E11-6001	Bail spring	.70
29	F01-3601	Bail spring cover	4.60
30	F01-3701	Bail spring cover screw	1.95
31	F01-4301	Bail trip plate	.95
32	F01-4401	Bail trip lever	1.40
33	F01-4601	Bail trip cover	4.60
34	F01-3001	Bearing retainer	.70
35	351-7701	Bearing retainer screw	.45
36	636-6401	Ball bearing B	8.25
37	F01-6901	Spacer	.95
14 38	E27-1501	Anti-reverse ratchet	.75

Key No.	Part No.	Part Name	Price
39	E24-4202	Pinion gear	11.35
40	E24-3301	Pinion collar	.70
41	F01-2302	Body	46.20
45	E26-8701	Anti-reverse cam spring	.60
46	F01-2705	Anti-reverse lever	8.00
47	B33-9801	Worm shaft gear retainer	.35
48	E24-8202	Worm shaft gear	6.50
49	E19-0901	Worm shaft bush	2.80
50	E42-6101	Worm shaft	7.50
51	E24-4501	Worm shield cover	5.10
52	E24-4403	Oscillating slider	4.50
53	E19-1202	Oscillating pawl	4.55
54	E19-1301	Oscillating pawl bush	2.80
55	375-0800	Oscillating pawl washer	.40
56	E24-4901	Oscillating slider cover	.90
57	E15-0203	Oscillating slider cover screw	.70
58	373-1300	Worm shaft washer	.45
59	E24-5101	Worm shaft retainer	.70
60	E19-1101	Worm shaft collar	2.50
61	F01-6101	Water shield	1.15
62	F01-6201	Rear cover	55.10
63	F01-6301	Rear cover screw A	1.10
64	F01-7201	Rear cover screw B	1.15
65	E27-1301	Anti-reverse pawl	1.15
66	B95-9501	Anti-reverse pawl collar	.95
67	B95-9602	Anti-reverse pawl spring A	.60
68	351-6401	Anti-reverse pawl screw	.45
69	F01-6401	Ball bearing C	9.20
70	E24-5301	Anti-reverse pawl spring	1.60
71	E24-7004	Drive gear	17.60
72	375-8502	Drive gear washer	.35
73	636-6401	Ball bearing B	8.25
74	F01-3201	Left side cover	15.90
75	351-1101	Side cover screw	.45
76	501-8501	Handle collar	.70
77	F04-5001	Handle screw	5.10
78	F01-7301	Handle screw cap	9.25
79	F01-5701	Handle assembly	31.50