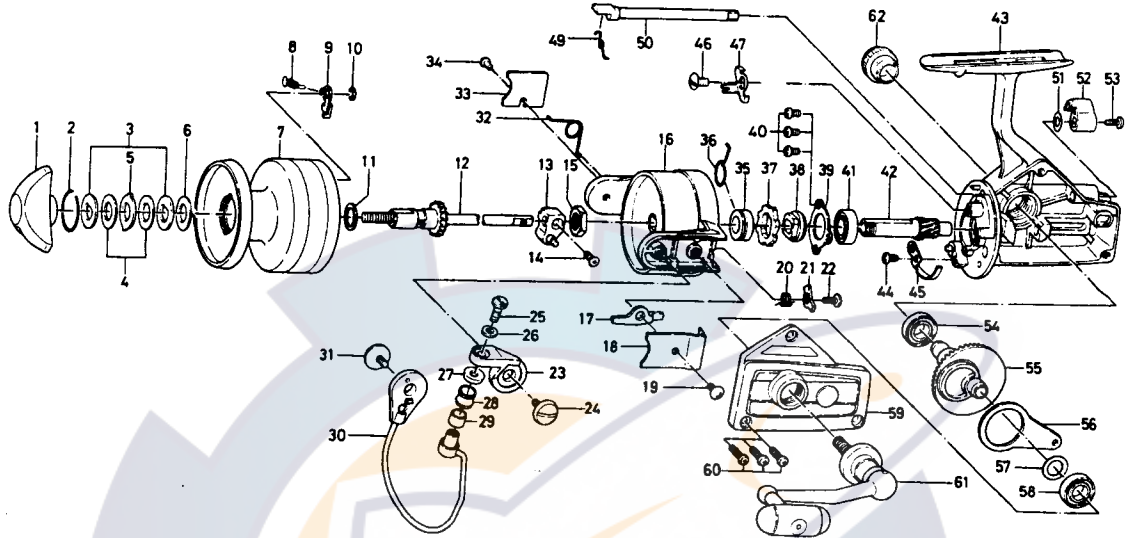


SPINNING REEL GS-30X



Key No.	Parts No.	Parts Name	Key No.	Parts No.	Parts Name
1	6-740-4501	Drag knob	32	6-145-2001	Bail spring
2	6-171-7701	Drag washer retainer	33	6-041-8801	Bail spring cover
3	6-376-4001	Drag D washer	34	6-351-6101	Bail spring cover screw
4	6-375-7802	Disc washer	35	6-502-1301	Spring holder
5	6-375-8002	Drag A washer	36	6-145-2901	Anti-reverse claw spring
6	6-375-7803	Drag washer A	37	6-280-9501	Ratchet
7	6-734-7802	Spool	38	6-636-6711	Click gear
8	6-145-2101	Spool click claw spring	39	6-635-9901	Ball bearing ret. washer
9	6-807-8201	Spool click claw	40	6-351-6601	Ball bearing ret. washer screw
10	6-320-1402	Spool click claw retainer	41	6-635-4801	Ball bearing
11	6-376-3901	Spool washer	42	6-403-2801	Pinion gear
12	6-711-5701	Main shaft	43	6-701-7004	Body
13	6-637-3001	Oscillating support	44	6-351-6601	Cam kick plate screw
14	6-351-8901	Oscillating slider screw	45	6-822-9901	Cam kick plate
15	6-810-5701	Rotor nut	46	6-352-1102	Anti-reverse claw screw
16	6-202-1801	Rotor	47	6-833-5601	Anti-reverse claw
17	6-571-1001	Bail kick lever	49	6-144-0321	Anti-reverse cam spring
18	6-814-1801	Bail kick lever cover	50	6-815-6403	Anti-reverse cam
19	6-351-7701	Bail kick lever cover screw	51	6-373-2700	Anti-reverse lever washer
20	6-145-0701	Bail kick cam spring	52	6-541-7301	Anti-reverse lever
21	6-571-1301	Bail kick cam	53	6-352-2501	Anti-reverse lever screw
22	6-351-4701	Bail kick cam screw	54	6-636-6011	Ball bearing
23	6-231-3501	Arm lever	55	6-414-2302	Drive gear
24	6-363-5201	Arm lever screw	56	6-481-2401	Oscillating slider
25	6-363-3111	Bail screw	57	6-371-2800	Drive gear washer
26	6-375-1101	Bail washer	58	6-636-6011	Ball bearing
27	6-501-2001	Roller collar	59	6-707-1304	Body cover
28	6-250-4501	Line roller	60	6-351-5901	Body cover screw
29	6-502-1401	Roller metal	61	6-804-0701	Handle
30	6-725-8801	Bail	62	6-363-4702	Handle screw cap
31	6-363-5201	Bail holder screw			

Sold as one unit
Spool assembly
6-734-7701