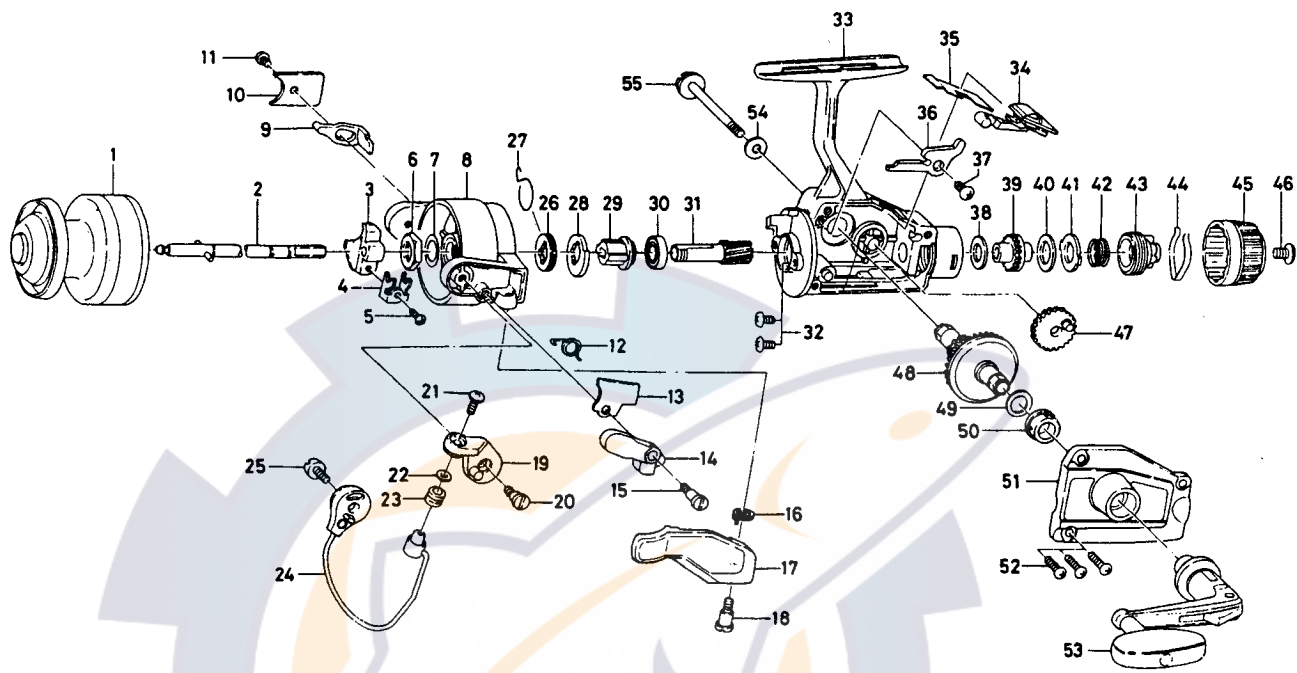


SPINNING REEL **RS1355**



Key No.	Parts No.	Parts Name
1	B76-6001	Spool
2	B74-8201	Main shaft
3	B74-8101	Oscillating slider
4	B81-2701	Oscillating slider retainer
5	351-1804	Oscillating slider screw
6	341-9201	Rotor nut
7	373-5402	Rotor washer
8	B82-1303	Rotor
9	B74-7201	Bail trip lever
10	B74-7301	Bail trip cover
11	352-0402	Bail trip cover screw
12	B67-4501	Bail spring
13	B74-6901	Bail spring cover
14	B67-4901	Trigger plate
15	B68-8801	Bail spring cover screw A
16	B67-5201	Trigger spring
17	B67-5106	Trigger lever
18	B68-8801	Trigger screw
19	B67-4601	Bail arm
20	B67-4701	Bail arm screw
21	B67-9301	Line roller screw
22	B55-4301	Line roller washer
23	250-3921	Line roller
24	B74-7001	Bail
25	B68-8701	Bail trip cam screw
26	B89-8401	Spring holder
27	B89-8501	Anti-reverse pawl spring
28	B74-6702	Anti-reverse ratchet

Key No.	Parts No.	Parts Name
29	B82-3302	Pinion spacer
30	634-1301	Ball bearing
31	B82-3201	Pinion gear
32	351-7703	Ball bearing screw
33	K00-8601	Body
34	B84-8901	Anti-reverse lever
35	B79-0101	Anti-reverse cam spring
36	B89-8301	Anti-reverse pawl
37	351-6102	Anti-reverse pawl screw
38	B76-0501	Drag washer A
39	B74-7401	Click gear
40	B48-9901	Drag washer B
41	B49-0103	Eared washer
42	B92-6701	Drag coil spring
43	B74-7603	Drag screw
44	B74-7701	Drag washer spring
45	B74-7801	Drag knob
46	352-1103	Drag knob spring screw
47	+13-4501	Oscillating gear
48	B82-2601	Drive gear
49	373-7800	Drive gear washer
50	B12-9002	Bushing
51	K01-0801	Side cover
52	351-6407	Side cover screw
53	B93-3601	Handle
54	B78-8501	Handle lock washer
55	B62-4702	Handle lock screw