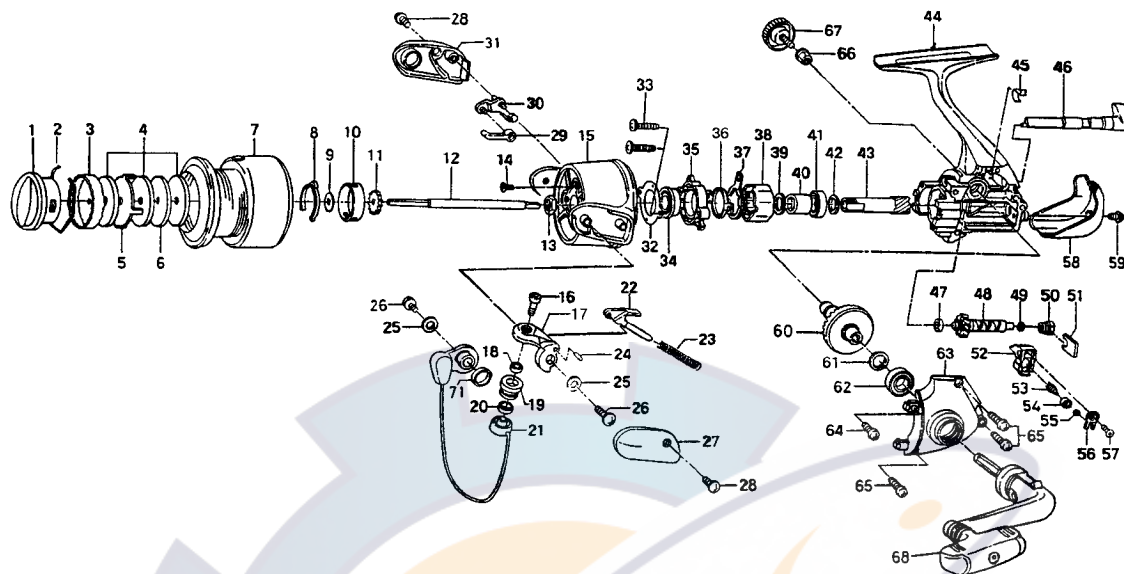


**Daiwa**  
COMMITTED TO TOTAL QUALITY  
SPINNING REEL

**SS2-2500C**



Key No.	Parts No.	Parts Name	Key No.	Parts No.	Parts Name
2-7	G03-5001	SPOOL	36	F67-5401	ROLLER CLUTCH RET
1	G03-5201	DRAG KNOB	37	F62-2201	A/R LEVER RET
2	F71-0001	DRAG WASHER RET	38	F62-2001	ROLLER CLUTCH
3	F67-4301	DRAG KNOB CLICK PLT	39	375-8509	ROLLER CLUTCH WASHER
4	F69-0901	DRAG WASHER A	40	F73-2501	SPACING SLEEVE
5	F67-6401	EARED WASHER	41	637-5702	BALL BEARING C
6	F67-6301	DRAG WASHER B	42	F78-1002	PINION COLLAR
8	F70-4901	SPOOL CLICK LEAF SPRING	43	F93-5501	PINION GEAR
9	E39-4001	SPOOL WASHER	44	G03-4701	BODY
10	E12-2303	CLICK LEAF SPRING HOLDER	45	F65-1901	A/R CAM SPRING
11	E36-5301	CLICK GEAR	46	F65-1802	A/R LEVER
12	F65-2701	MAIN SHAFT	47	F65-2201	WORM SHAFT BUSH
13	341-9204	ROTOR NUT	48	F98-5001	WORM SHAFT
14	B55-7601	ROTOR NUT LOCK SCREW	49	375-4101	WORM SHAFT WASHER
15	F62-3410	ROTOR	50	F65-2301	WORM SHAFT COLLAR
16	F62-5202	LINE ROLLER SCREW	51	F65-2401	WORM SHAFT RET
17	F62-3511	BAIL ARM	52	F65-2601	OSC SLIDER
18	G02-0801	BALL BEARING A	53	F89-1701	OSC PAWL
19	F62-5001	LINE ROLLER	54	F91-3001	OSC PAWL BUSH
20	F70-1801	LINE ROLLER COLLAR	55	375-0801	OSC PAWL WASHER
21	G03-4801	BAIL	56	F62-2901	OSC SLIDER COVER
22	F69-1104	BAIL SPRING SHAFT	57	E15-0205	OSC SLIDER COVER SCREW
23	F77-8101	BAIL SPRING	58	G03-2203	REAR COVER
24	F62-3701	BAIL ARM SCREW	59	E24-8103	REAR COVER SCREW
25	F63-1801	BAIL HOLDER WASHER	60	F65-2801	DRIVE GEAR
26	351-6104	BAIL HOLDER SCREW	61	375-8502	DRIVE GEAR WASHER
27	F63-1906	BAIL SPRING COVER	62	637-5702	BALL BEARING D
28	352-2503	BAIL SPRING COVER SCREW	63	F65-3010	SIDE COVER
29	F62-4601	BAIL TRIP PLT	64	E15-7501	SIDE COVER SCREW A
30	F62-4701	BAIL TRIP LEVER	65	E13-0502	SIDE COVER SCREW B
31	F63-2105	BAIL TRIP COVER	66	F40-4801	HANDLE COLLAR
32	F92-5801	BEARING RET A	67	F03-5601	HANDLE LOCK SCREW
33	E24-7402	BEARING RET SCREW	68	G10-2301	HANDLE
34	F22-6701	BALL BEARING B	71	F77-7701	BAIL HOLDER COLLAR
35	F92-4801	BEARING RET B			