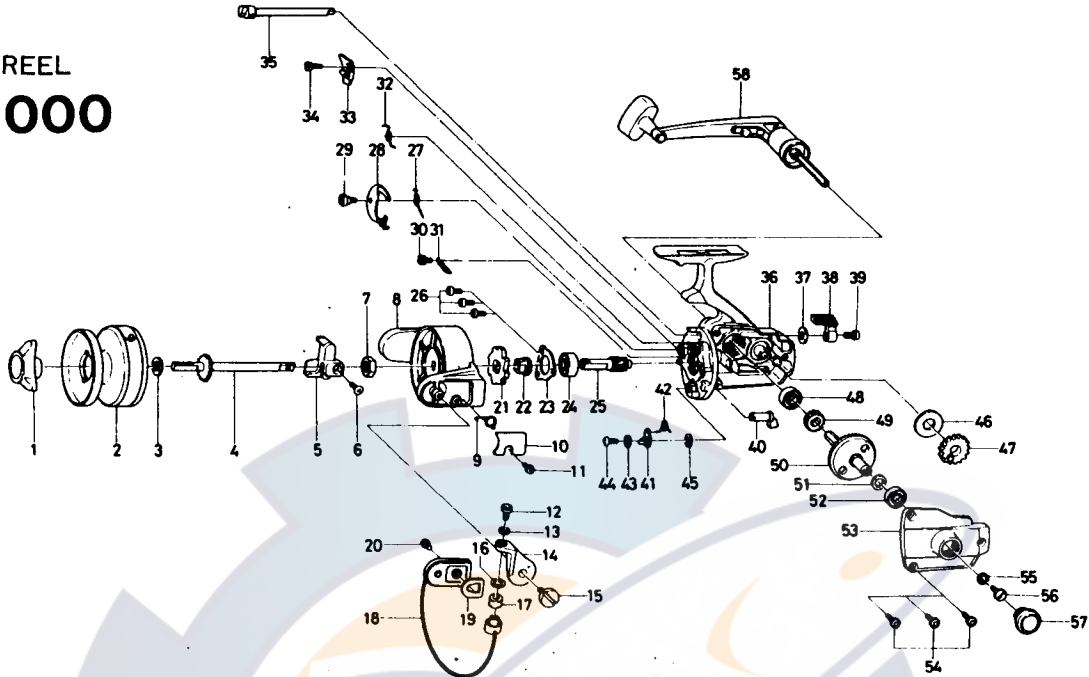


SPINNING REEL
SS-2000



LINE CAPACITY: 275 YDS. 12 LB. TEST (250m Dia. 0.35mm)

Key No.	Parts No.	Parts Name	Key No.	Parts No.	Parts Name
1	67402105	Drag knob	30	63633301	Click lever spring screw
2	67320401	Spool assembly	31	61441201	Click lever spring
3	63749001	Spool washer	32	61440301	Anti-reverse claw spring
4	67111201	Main shaft	33	67700721	Anti-reverse claw
5	64810902	Oscillating slider	34	63633601	Anti-reverse claw screw
6	63518901	Oscillating slider screw	35	67109002	Anti-reverse cam
7	63408301	Rotor nut	36	67006701	Body
8	62017702	Rotor	37	63732700	Anti-reverse washer
9	61435311	Bail spring	38	65412801	Anti-reverse lever
10	66326411	Bail cover	39	63511001	Anti-reverse lever screw
11	63501931	Cover screw	40	65413001	Noiseless lever
12	63633111	Bail screw	41	64613001	Noiseless cam
13	63751101	Bail washer A	42	61442101	Noiseless lever spring
14	62311901	Arm lever	43	61603101	Noiseless lever washer A
15	63623411	Arm lever screw	44	63501931	Noiseless lever screw
16	65012001	Bail washer B	45	63753001	Noiseless lever washer B
17	62504301	Line roller	46	63746600	Oscillating gear washer
18	67255622	Bail	47	64132211	Oscillating gear
19	62103111	Balancer	48	66317611	Ball bearing
20	63516601	Bail holder screw	49	64023801	Oscillating pinion
21	62805301	Ratchet	50	67502831	Drive gear
22	62707002	Click gear	51	63712820	Drive gear washer
23	66359901	Ball bearing ret. washer	52	66317611	Ball bearing
24	66317611	Ball bearing	53	67059601	Body cover
25	64023711	Pinion gear	54	63531504	Body cover screw
26	63516601	Ball bearing ret. washer screw	55	63719521	Handle washer
27	61440201	Click claw spring	56	63633401	Handle screw
28	67701001	Click claw	57	67813101	Handle cap screw
29	63633012	Click claw screw	58	67460805	Handle

Darwa

Page
2

Date
12-75

Rev. No.
00