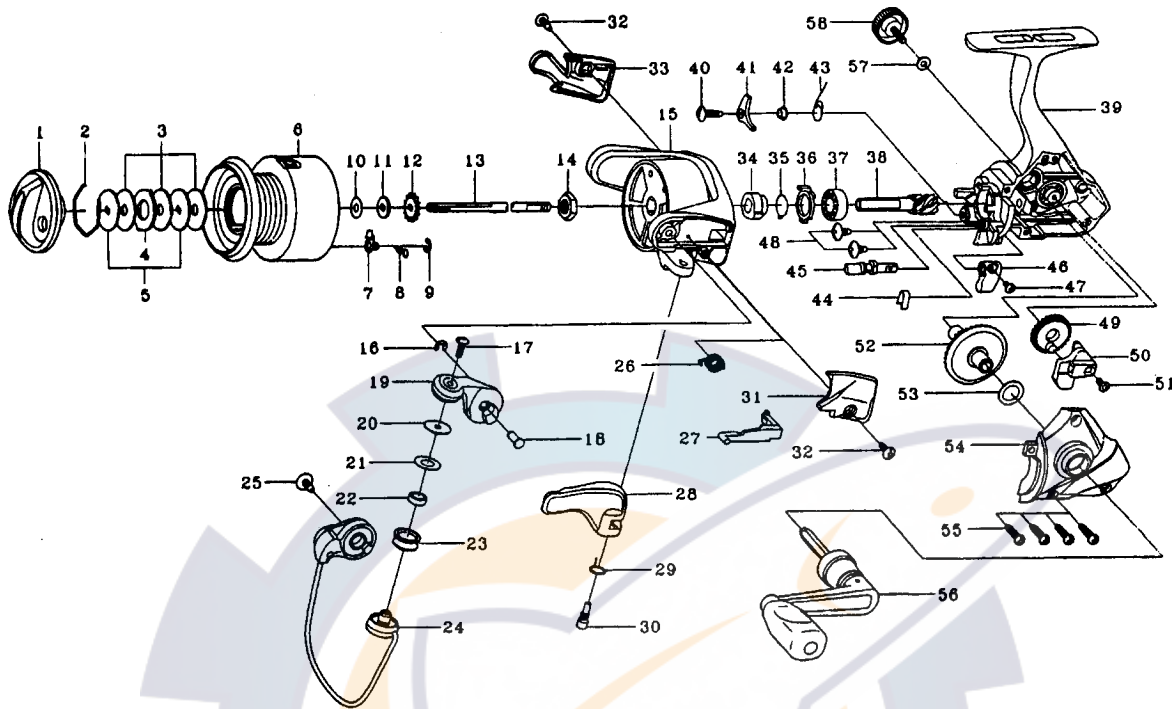




SPINNING REEL

# SPINSTAR-X2505C



Key No.	Parts No.	Parts Name	Key No.	Parts No.	Parts Name
2-9	G10-7501	SPOOL	30	E37-0003	TRIGGER SCREW
1	F32-2107	DRAG KNOB	31	F31-0512	BAIL SPRING COVER
2	171-7701	DRAG WASHER RET	32	E36-4202	BAIL HOLDER COVER SCREW
3	E13-6003	DRAG WASHER	33	F31-0612	BAIL HOLDER COVER
4	373-3603	EARED WASHER	34	E49-2401	A/R RATCHET
5	E46-7201	KEY WASHER	35	F19-6301	A/R PAWL SPRING B
7	B07-5304	CLICK PAWL	36	F19-6201	A/R COLLAR
8	E40-3101	CLICK SPRING	37	L03-6601	BALL BEARING
9	320-5901	CLICK RET	38	E51-9801	PINION GEAR
10	E39-8000	SPOOL WASHER A	39	G04-9602	BODY
11	E46-7101	SPOOL WASHER B	40	L00-1801	A/R PAWL SCREW
12	270-6501	CLICK GEAR	41	F19-5301	A/R PAWL
13	F99-0601	MAIN SHAFT	42	L01-4302	A/R PAWL COLLAR
14	341-9201	ROTOR NUT	43	L00-1501	A/R PAWL SPRING
15	F31-0117	ROTOR	44	F19-5201	A/R CAM SPRING
16	320-5901	BAIL ARM SCREW RET	45	F98-9301	A/R CAM
17	B67-9304	LINE ROLLER SCREW	46	F98-9202	A/R LEVER
18	E49-3501	BAIL ARM SCREW	47	F98-9401	A/R LEVER SCREW
19	F61-9303	BAIL ARM	48	E03-7801	BEARING RET SCREW
20	E44-6302	ROLLER COLLAR	49	F67-7401	OSC GEAR
21	F44-6202	LINE ROLLER WASHER	50	F98-9601	OSC SLIDER
22	F47-3401	LINE ROLLER BUSHING	51	351-0315	OSC SLIDER SCREW
23	F47-2402	LINE ROLLER	52	F17-0001	DRIVE GEAR
24	G10-7202	BAIL	53	373-7808	DRIVE GEAR WASHER
25	B84-2102	BAIL HOLDER SCREW	54	F99-0803	SIDE COVER
26	F12-8901	BAIL SPRING	55	E15-8602	SIDE COVER SCREW
27	E45-1601	BAIL TRIP LEVER	56	G04-9701	HANDLE
28	F18-0012	TRIGGER LEVER	57	F02-0201	HANDLE WASHER
29	E36-9901	TRIGGER SPRING	58	B92-5012	HANDLE SCREW