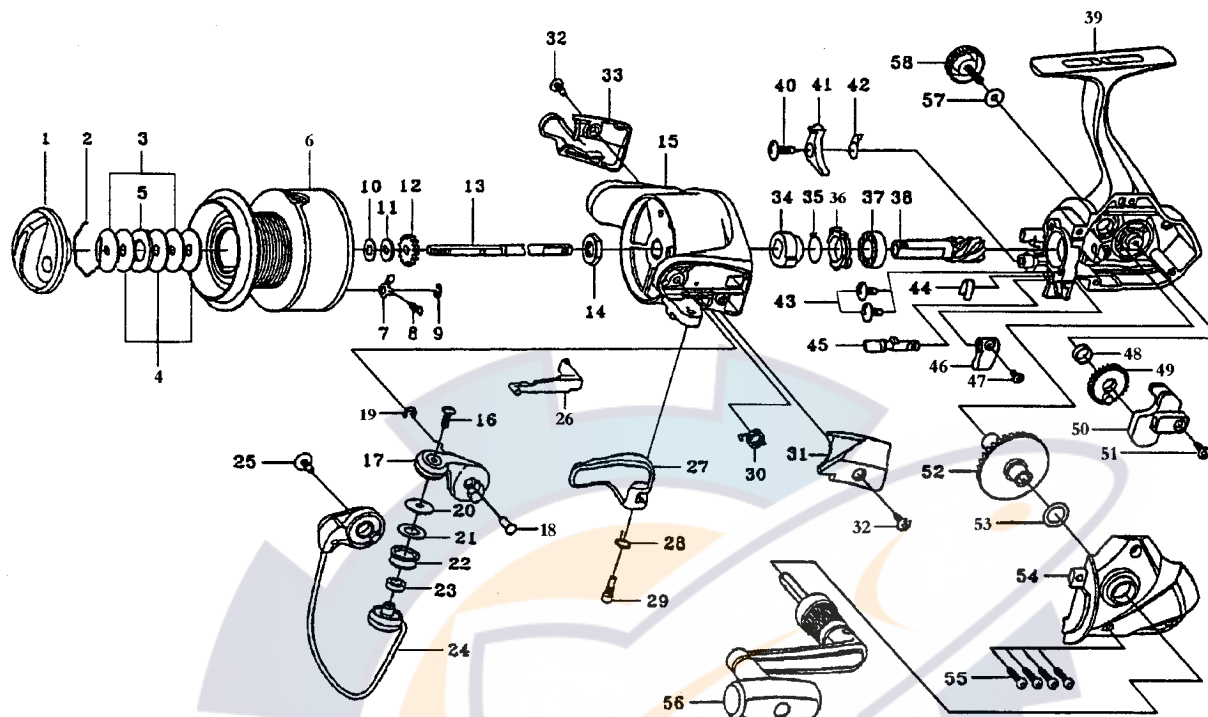


Daiwa
COMMITTED TO TOTAL QUALITY

SPINNING REEL SPINSTAR-X3505C



Key No.	Parts No.	Parts Name	Key No.	Parts No.	Parts Name
2-9	G10-7901	SPOOL	30	F12-8901	BAIL SPRING
1	F32-9507	DRAG KNOB	31	F31-4512	BAIL SPRING COVER
2	171-7701	DRAG WASHER RET	32	E36-4202	BAIL HOLDER COVER SCREW
3	F09-4901	KEY WASHER	33	F31-4612	BAIL HOLDER COVER
4	E13-6003	DRAG WASHER	34	F24-8901	A/R RATCHET
5	373-3603	EARED WASHER	35	F20-1101	A/R PAWL SPRING B
7	B07-5304	CLICK PAWL	36	F20-1001	A/R COLLAR
8	E40-3101	CLICK SPRING	37	L03-6502	BALL BEARING
9	320-5901	CLICK RET	38	E52-0101	PINION GEAR
10	F09-4800	SPOOL WASHER A	39	G07-0903	BODY
11	F09-4701	SPOOL WASHER B	40	E00-7101	A/R PAWL SCREW
12	E46-2701	CLICK GEAR	41	F19-9901	A/R PAWL
13	F99-2301	MAIN SHAFT	42	F19-9801	A/R PAWL SPRING A
14	340-6602	ROTOR NUT	43	E03-7801	BEARING RET SCREW
15	F62-0307	ROTOR	44	F19-5201	A/R CAM SPRING
16	B67-9304	LINE ROLLER SCREW	45	F98-9301	A/R CAM
17	F61-9303	BAIL ARM	46	F98-9202	A/R LEVER
18	E49-3501	BAIL ARM SCREW	47	F98-9401	A/R LEVER SCREW
19	320-5901	BAIL ARM SCREW RET	48	F13-1601	OSC GEAR COLLAR
20	F44-6302	ROLLER COLLAR	49	G18-9301	OSC GEAR
21	F44-6202	LINE ROLLER WASHER	50	F99-2201	OSC SLIDER
22	F45-4901	LINE ROLLER	51	352-1505	OSC SLIDER SCREW
23	F47-3401	LINE ROLLER BUSHING	52	E52-0201	DRIVE GEAR
24	G10-7602	BAIL	53	373-7808	DRIVE GEAR WASHER
25	B84-2102	BAIL HOLDER SCREW	54	F99-3405	SIDE COVER
26	E46-2101	BAIL TRIP LEVER	55	E15-8602	SIDE COVER SCREW
27	F18-0012	TRIGGER LEVER	56	G07-1001	HANDLE
28	E36-9901	TRIGGER SPRING	57	F02-0201	HANDLE WASHER
29	E37-0003	TRIGGER SCREW	58	B92-5012	HANDLE SCREW