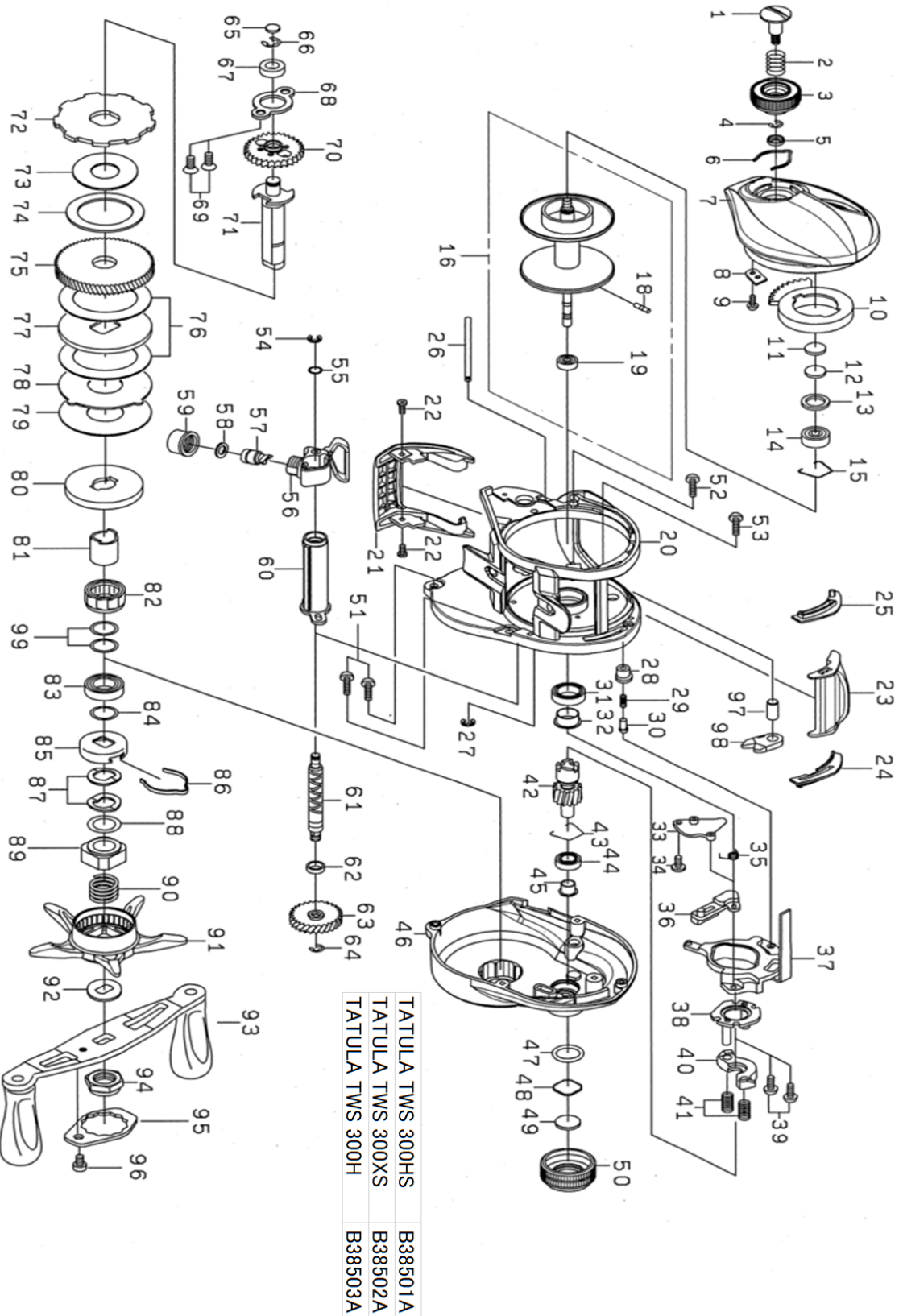




TATULA TWS 300H

Feel Alive.

Please quote by part number, not key number when ordering.
spares@daiwaaustralia.com.au PH: (02) 8644 8644



REEL NAME	MGFT CODE	KEY NO	PARTS CODE	DESCRIPTION
TATULA TWS 300H	B38503A	1	6J716301	BRAKE DIAL SCREW
TATULA TWS 300H	B38503A	2	6E167101	BRAKE DIAL SPRING
TATULA TWS 300H	B38503A	3	6J935801	BRAKE DIAL
TATULA TWS 300H	B38503A	4	6B339801	BRAKE DIAL RETAINER(A)
TATULA TWS 300H	B38503A	5	6F637701	BRAKE DIAL COLLAR
TATULA TWS 300H	B38503A	6	6J935901	BRAKE DIAL LEAF SPRING
TATULA TWS 300H	B38503A	7	6J975101	LEFT SIDE PLATE
TATULA TWS 300H	B38503A	8	6J946901	BRAKE DIAL RETAINER(B)
TATULA TWS 300H	B38503A	9	6G939301	BRAKE DIAL RETAINER(B) SCRERW
TATULA TWS 300H	B38503A	10	6J974501	MAGNET HOLDER
TATULA TWS 300H	B38503A	11	63757404	LS BEARING WASHER (A)
TATULA TWS 300H	B38503A	12	63757411	LS BEARING WASHER (B)
TATULA TWS 300H	B38503A	13	6G185101	LS BEARING WASHER (C)
TATULA TWS 300H	B38503A	14	6G511501	LS BALL BEARING
TATULA TWS 300H	B38503A	15	6F032201	LS BEARING RING
TATULA TWS 300H	B38503A	16-19	6J974601	SPOOL ASSY (16-19)
TATULA TWS 300H	B38503A	20	6J932401	FRAME
TATULA TWS 300H	B38503A	21	6J935501	FRONT COVER
TATULA TWS 300H	B38503A	22	6H531511	FRONT COVER SCREW
TATULA TWS 300H	B38503A	23	6J933101	CLUTCH LEVER
TATULA TWS 300H	B38503A	24	6J932501	CLUTCH LEVER PLATE (R)
TATULA TWS 300H	B38503A	25	6J932601	CLUTCH LEVER PLATE (L)
TATULA TWS 300H	B38503A	26	6J935601	OSCILLATING POST
TATULA TWS 300H	B38503A	27	6H704101	OSCILLATING POST RETAINER
TATULA TWS 300H	B38503A	28	6H910601	CLUTCH CAM PLATE PIN SPRING COLLAR
TATULA TWS 300H	B38503A	29	6H928801	CLUTCH CAM PLATE PIN SPRING
TATULA TWS 300H	B38503A	30	6J055201	CLUTCH CAM PLATE PIN
TATULA TWS 300H	B38503A	31	6G156805	CLUTCH CAM BALL BEARING
TATULA TWS 300H	B38503A	32	6J946501	CLUTCH CAM BEARING COLLAR
TATULA TWS 300H	B38503A	33	6J933001	KICK LEVER PLATE (A)
TATULA TWS 300H	B38503A	34	6H294101	KICK LEVER PLATE (A) SCREW
TATULA TWS 300H	B38503A	35	6J933601	KICK LEVER SPRING
TATULA TWS 300H	B38503A	36	6J933201	KICK LEVER
TATULA TWS 300H	B38503A	37	6J973701	CLUTCH CAM PLATE
TATULA TWS 300H	B38503A	38	6J932901	KICK LEVER PLATE (B)
TATULA TWS 300H	B38503A	39	6B032904	KICK LEVER PLATE (B) SCREW
TATULA TWS 300H	B38503A	40	6M105701	CLUTCH PLATE
TATULA TWS 300H	B38503A	41	6J977701	CLUTCH SPRING
TATULA TWS 300H	B38503A	42	6M123501	PINION GEAR
TATULA TWS 300H	B38503A	43	6H160801	PINION RING
TATULA TWS 300H	B38503A	44	6G467102	PINION BALL BEARING
TATULA TWS 300H	B38503A	45	6J953001	PINION BALL BEARING COLLAR
TATULA TWS 300H	B38503A	46	6J973611	RS PLATE
TATULA TWS 300H	B38503A	47	6B055201	ZERO ADJUSTE O-RING
TATULA TWS 300H	B38503A	48	6J692001	ZERO ADJUSTE WASHER (A)
TATULA TWS 300H	B38503A	49	6B175503	ZERO ADJUSTE WASHER (B) 05MM
TATULA TWS 300H	B38503A	50	6J932301	ZERO ADJUSTE KNOB
TATULA TWS 300H	B38503A	51	6G040830	RS PLATE SCREW (A)
TATULA TWS 300H	B38503A	52	6G945819	RS PLATE SCREW (B)
TATULA TWS 300H	B38503A	53	6G040832	RS PLATE SCREW (C)
TATULA TWS 300H	B38503A	54	63205901	WORM SHAFT RETAINER(A)
TATULA TWS 300H	B38503A	55	6B411702	WORM SHAFT WASHER 03MM
TATULA TWS 300H	B38503A	56	6J973801	LEVEL WIND ASSY
TATULA TWS 300H	B38503A	57	61214212	PAWL
TATULA TWS 300H	B38503A	58	63731303	PAWL WASHER 01MM
TATULA TWS 300H	B38503A	59	6F402801	PAWL HOLDER NUT
TATULA TWS 300H	B38503A	60	6J934301	WORM SHIELD
TATULA TWS 300H	B38503A	61	6J934101	WORM SHAFT
TATULA TWS 300H	B38503A	62	6G720001	WORM SHAFT COLLAR
TATULA TWS 300H	B38503A	63	6J934201	WORM SHAFT GEAR

