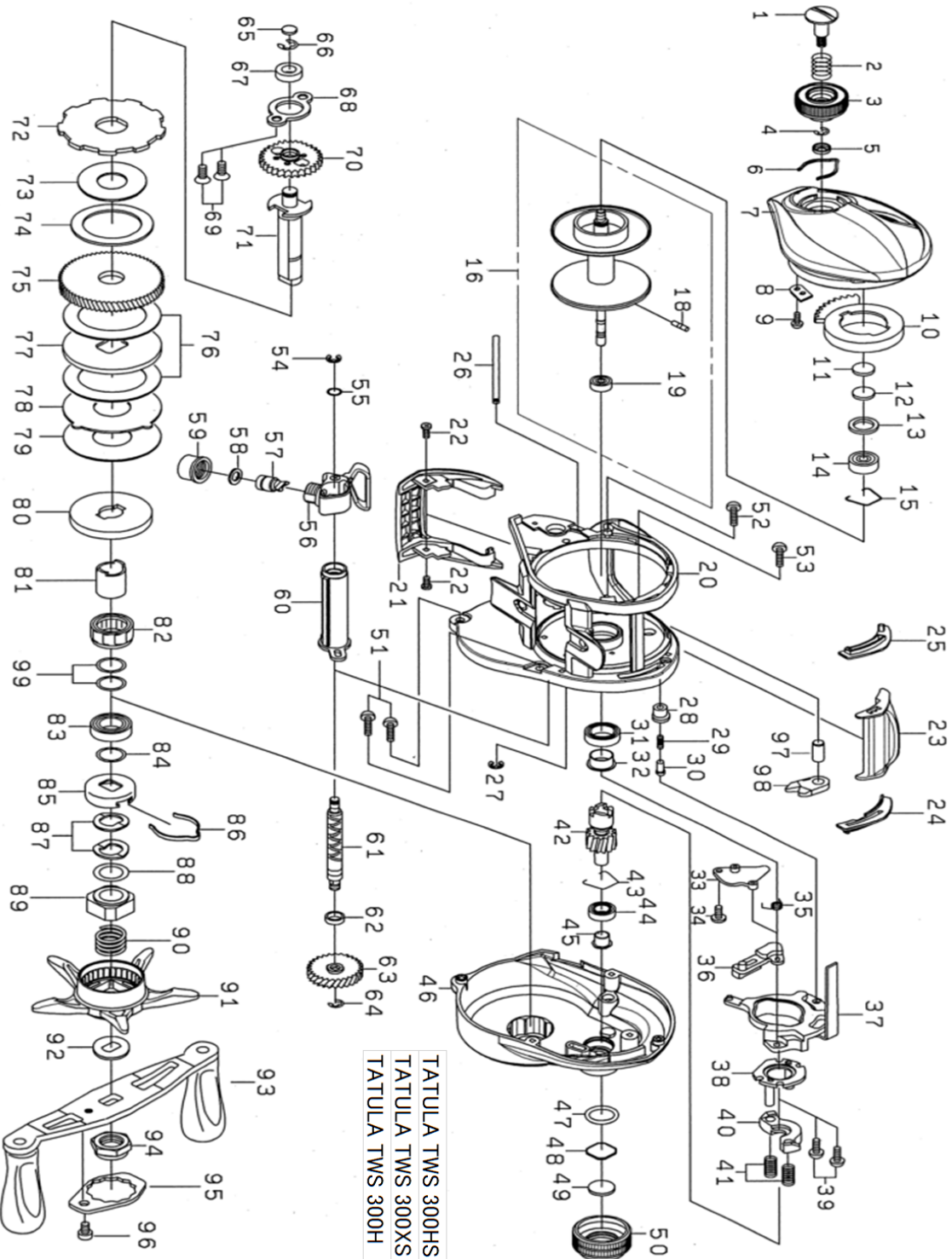




TATULA TWS 300XS

Feel Alive.

Please quote by part number, not key number when ordering.
 spares@daiwaaustralia.com.au PH: (02) 8644 8644



TATULA TWS 300HS	B38501A
TATULA TWS 300XS	B38502A
TATULA TWS 300H	B38503A

REEL NAME	MGFT CODE	KEY NO	PARTS CODE	DESCRIPTION
TATULA TWS 300XS	B38502A	1	6J716301	BRAKE DIAL SCREW
TATULA TWS 300XS	B38502A	2	6E167101	BRAKE DIAL SPRING
TATULA TWS 300XS	B38502A	3	6J935801	BRAKE DIAL
TATULA TWS 300XS	B38502A	4	6B339801	BRAKE DIAL RETAINER(A)
TATULA TWS 300XS	B38502A	5	6F637701	BRAKE DIAL COLLAR
TATULA TWS 300XS	B38502A	6	6J935901	BRAKE DIAL LEAF SPRING
TATULA TWS 300XS	B38502A	7	6J975101	LEFT SIDE PLATE
TATULA TWS 300XS	B38502A	8	6J946901	BRAKE DIAL RETAINER(B)
TATULA TWS 300XS	B38502A	9	6G939301	BRAKE DIAL RETAINER(B) SCRERW
TATULA TWS 300XS	B38502A	10	6J974501	MAGNET HOLDER
TATULA TWS 300XS	B38502A	11	63757404	LS BEARING WASHER (A)
TATULA TWS 300XS	B38502A	12	63757411	LS BEARING WASHER (B)
TATULA TWS 300XS	B38502A	13	6G185101	LS BEARING WASHER (C)
TATULA TWS 300XS	B38502A	14	6G511501	LS BALL BEARING
TATULA TWS 300XS	B38502A	15	6F032201	LS BEARING RING
TATULA TWS 300XS	B38502A	16-19	6J974601	SPOOL ASSY (16-19)
TATULA TWS 300XS	B38502A	20	6J932401	FRAME
TATULA TWS 300XS	B38502A	21	6J935501	FRONT COVER
TATULA TWS 300XS	B38502A	22	6H531511	FRONT COVER SCREW
TATULA TWS 300XS	B38502A	23	6J933101	CLUTCH LEVER
TATULA TWS 300XS	B38502A	24	6J932501	CLUTCH LEVER PLATE (R)
TATULA TWS 300XS	B38502A	25	6J932601	CLUTCH LEVER PLATE (L)
TATULA TWS 300XS	B38502A	26	6J935601	OSCILLATING POST
TATULA TWS 300XS	B38502A	27	6H704101	OSCILLATING POST RETAINER
TATULA TWS 300XS	B38502A	28	6H910601	CLUTCH CAM PLATE PIN SPRING COLLAR
TATULA TWS 300XS	B38502A	29	6H928801	CLUTCH CAM PLATE PIN SPRING
TATULA TWS 300XS	B38502A	30	6J055201	CLUTCH CAM PLATE PIN
TATULA TWS 300XS	B38502A	31	6G156805	CLUTCH CAM BALL BEARING
TATULA TWS 300XS	B38502A	32	6J946501	CLUTCH CAM BEARING COLLAR
TATULA TWS 300XS	B38502A	33	6J933001	KICK LEVER PLATE (A)
TATULA TWS 300XS	B38502A	34	6H294101	KICK LEVER PLATE (A) SCREW
TATULA TWS 300XS	B38502A	35	6J933601	KICK LEVER SPRING
TATULA TWS 300XS	B38502A	36	6J933201	KICK LEVER
TATULA TWS 300XS	B38502A	37	6J973701	CLUTCH CAM PLATE
TATULA TWS 300XS	B38502A	38	6J932901	KICK LEVER PLATE (B)
TATULA TWS 300XS	B38502A	39	6B032904	KICK LEVER PLATE (B) SCREW
TATULA TWS 300XS	B38502A	40	6M105701	CLUTCH PLATE
TATULA TWS 300XS	B38502A	41	6J977701	CLUTCH SPRING
TATULA TWS 300XS	B38502A	42	6M123301	PINION GEAR
TATULA TWS 300XS	B38502A	43	6H160801	PINION RING
TATULA TWS 300XS	B38502A	44	6G467102	PINION BALL BEARING
TATULA TWS 300XS	B38502A	45	6J953001	PINION BALL BEARING COLLAR
TATULA TWS 300XS	B38502A	46	6J973610	RS PLATE
TATULA TWS 300XS	B38502A	47	6B055201	ZERO ADJUSTE O-RING
TATULA TWS 300XS	B38502A	48	6J692001	ZERO ADJUSTE WASHER (A)
TATULA TWS 300XS	B38502A	49	6B175503	ZERO ADJUSTE WASHER (B) 05MM
TATULA TWS 300XS	B38502A	50	6J932301	ZERO ADJUSTE KNOB
TATULA TWS 300XS	B38502A	51	6G040830	RS PLATE SCREW (A)
TATULA TWS 300XS	B38502A	52	6G945819	RS PLATE SCREW (B)
TATULA TWS 300XS	B38502A	53	6G040832	RS PLATE SCREW (C)
TATULA TWS 300XS	B38502A	54	63205901	WORM SHAFT RETAINER(A)
TATULA TWS 300XS	B38502A	55	6B411702	WORM SHAFT WASHER 03MM
TATULA TWS 300XS	B38502A	56	6J973801	LEVEL WIND ASSY
TATULA TWS 300XS	B38502A	57	61214212	PAWL
TATULA TWS 300XS	B38502A	58	63731303	PAWL WASHER 01MM
TATULA TWS 300XS	B38502A	59	6F402801	PAWL HOLDER NUT
TATULA TWS 300XS	B38502A	60	6J934301	WORM SHIELD
TATULA TWS 300XS	B38502A	61	6J934101	WORM SHAFT
TATULA TWS 300XS	B38502A	62	6G720001	WORM SHAFT COLLAR
TATULA TWS 300XS	B38502A	63	6J934201	WORM SHAFT GEAR

