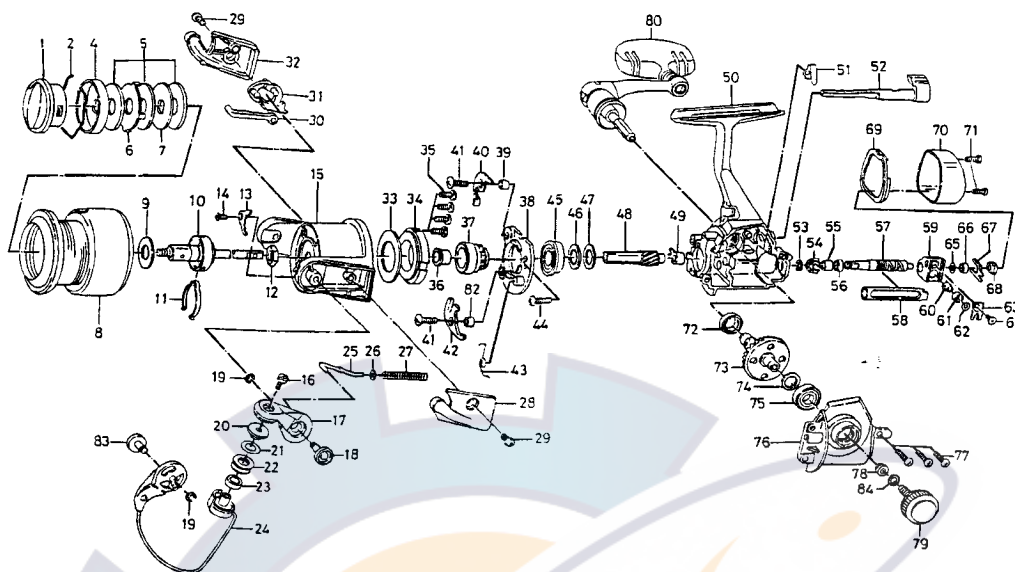




SPINNING REEL

# TEAM DAIWA-X4000HIAU



Key No.	Parts No.	Parts Name	Key No.	Parts No.	Parts Name
2-8	F76-4901	SPOOL	43	F22-7101	A/R CAM SPRING
1	F66-2001	DRAG KNOB	44	351-8501	BEARING RET SCREW
2	F71-0001	DRAG WASHER RET	45	F24-0001	BALL BEARING B
4	F75-6001	DRAG KNOB CLICK PLT	46	371-2822	BALL BEARING WASHER A
5	F62-7101	DRAG WASHER	47	371-2821	BALL BEARING WASHER B
6	F75-5701	EARED WASHER	48	F76-3601	PINION GEAR
7	F75-5601	KEY WASHER	49	B88-0001	PINION COLLAR
9	F13-7501	SPOOL WASHER	50	F47-7303	BODY
10	F47-5901	MAIN SHAFT	51	F76-9101	A/R LEVER SPRING
11	B74-7702	SPOOL CLICK LEAF SPRING	52	E45-0403	A/R LEVER
12	B10-5702	ROTOR NUT	53	320-5901	WORM SHAFT GEAR RET
13	F18-9601	ROTOR NUT HOLD PLT	54	F76-3501	WORM SHAFT GEAR
14	E13-4501	ROTOR NUT HOLD PLT SCREW	55	B45-1501	WORM SHAFT COLLAR
15	F76-3801	ROTOR	56	E33-2501	BALL BEARING C
16	F14-2004	LINE ROLLER SCREW	57	F76-3401	WORM SHAFT
17	F45-4301	BAIL ARM	58	F28-2602	WORM SLIDER
18	F34-5901	BAIL ARM SCREW	59	E44-6702	OSC SLIDER
19	320-5901	BAIL ARM SCREW RET	60	F02-1202	OSC PAWL
20	F70-8101	ROLLER COLLAR	61	E19-1301	OSC PAWL BUSH
21	F44-6202	LINE ROLLER WASHER	62	375-0801	OSC PAWL WASHER
22	F45-4902	LINE ROLLER	63	E12-5901	OSC SLIDER COVER
23	F84-4901	BALL BEARING A	64	351-8904	OSC SLIDER COVER SCREW
24	F76-3901	BAIL	65	375-4101	OSC SLIDER WASHER
25	E12-4701	BAIL SPRING SHAFT	66	F28-2201	BALL BEARING D
26	E31-3901	BAIL SPRING WASHER	67	F28-2301	WORM SHAFT RET
27	E43-5401	BAIL SPRING	68	F28-2403	BALL BEARING COLLAR B
28	F35-6905	BAIL SPRING COVER	69	E45-0702	WATER SHIELD
29	F01-3701	BAIL SPRING COVER SCREW	70	E45-0806	REAR COVER
30	F35-7201	BAIL TRIP PLT	71	F01-6302	REAR COVER SCREW
31	F49-9201	BAIL TRIP LEVER	72	B86-1702	BALL BEARING E
32	F35-7305	BAIL TRIP COVER	73	F76-3701	DRIVE GEAR
33	F19-7304	ROLLER CLUTCH WASHER	74	373-7808	DRIVE GEAR WASHER
34	F76-5401	ROLLER CLUTCH	75	B62-8601	BALL BEARING F
35	351-4701	ROLLER CLUTCH SCREW	76	F08-5004	SIDE COVER
36	F24-6001	SPACING SLEEVE	77	351-8505	SIDE COVER SCREW
37	F23-9102	A/R RATCHET	78	F43-3502	HANDLE COLLAR
38	F23-8301	BEARING RET	79	F76-4801	HANDLE SCREW
39	F22-6801	A/R PAWL PLT COLLAR	80	F76-4001	HANDLE
40	F23-8801	A/R PAWL PLT	82	F23-8701	A/R PAWL COLLAR
41	E45-4001	A/R PAWL SCREW	83	F66-0901	BAIL HOLDER SCREW
42	F23-8901	A/R PAWL	84	160-8101	HANDLE WASHER