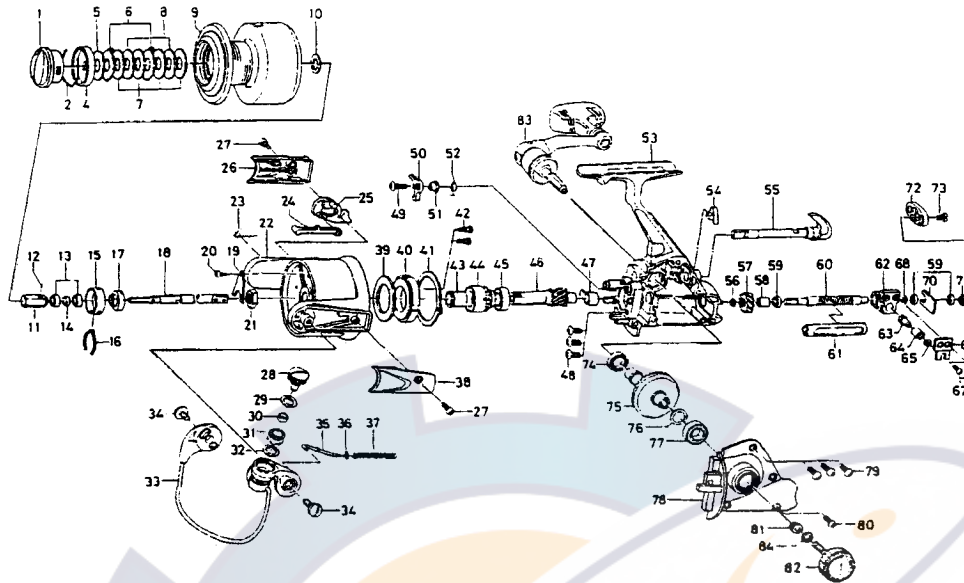




# SPINNING REEL TEAM DAIWA-X5000HIAU



Key No.	Parts No.	Parts Name	Key No.	Parts No.	Parts Name
2-9	F75-5001	SPOOL	43	F18-1301	SPACING SLEEVE
1	F66-2001	DRAG KNOB	44	F18-1401	A/R RATCHET
2	F71-0001	DRAG WASHER RET	45	635-4801	BALL BEARING C
4	F75-6001	DRAG KNOB CLICK PLT	46	F75-3701	PINION GEAR
5	F75-5801	DRAG WASHER A	47	E33-2101	PINION COLLAR
6	F75-5701	EARED WASHER	48	B51-5301	BALL BEARING SCREW
7	F75-5501	DRAG WASHER B	49	E45-4003	A/R PAWL SCREW
8	F75-5601	KEY WASHER	50	F18-1801	A/R PAWL
10	F13-7501	SPOOL WASHER	51	F18-1701	A/R PAWL COLLAR
11	F23-5701	SHAFT METAL	52	F18-1901	A/R PAWL SPRING
12	F23-5801	SHAFT METAL SCREW	53	F75-3601	BODY
13	B35-8601	BALL BEARING A	54	E32-7801	A/R CAM SPRING
14	F23-5601	BALL BEARING COLLAR A	55	F23-7507	A/R LEVER
15	E12-2301	CLICK LEAF SPRING HOLDER	56	320-5901	WORM SHAFT GEAR RET
16	B74-7701	SPOOL CLICK LEAF SPRING	57	F75-3801	WORM SHAFT GEAR
17	F23-5501	SPOOL METAL	58	E29-6501	WORM SHAFT COLLAR
18	F51-2701	MAIN SHAFT	59	E33-2501	BALL BEARING D
19	F18-9601	ROTOR NUT HOLD PLT	60	F23-2503	WORM SHAFT
20	351-1001	ROTOR NUT HOLD PLT SCREW	61	F23-2402	WORM SHIELD
21	B10-5702	ROTOR NUT	62	F23-2302	OSC SLIDER
22	F31-5307	ROTOR	63	E26-4101	OSC PAWL
23	F29-6801	BAIL TRIP LEVER SPRING	64	E26-4201	OSC PAWL BUSH
24	F23-4102	BAIL TRIP PLT	65	375-0801	OSC PAWL WASHER
25	F23-4202	BAIL TRIP LEVER	66	E26-4301	OSC SLIDER COVER
26	F23-4301	BAIL TRIP COVER	67	352-1502	OSC SLIDER COVER SCREW
27	F29-9501	BAIL TRIP COVER SCREW	68	B41-1701	OSC SLIDER WASHER
28	F23-4404	LINE ROLLER SCREW	70	F23-2601	WORM SHAFT RET
29	373-2701	LINE ROLLER WASHER A	71	F23-2701	BALL BEARING COLLAR B
30	F60-2501	BALL BEARING B	72	F23-3301	REAR COVER
31	F51-0001	LINE ROLLER	73	F01-3703	REAR COVER SCREW
32	F44-6202	LINE ROLLER WASHER B	74	E45-3901	BALL BEARING E
33	F51-6101	BAIL	75	F75-3901	DRIVE GEAR
34	F23-3901	BAIL HOLDER SCREW	76	371-2824	DRIVE GEAR WASHER
35	E32-6701	BAIL SPRING SHAFT	77	635-4801	BALL BEARING F
36	E31-3901	BAIL SPRING WASHER	78	F23-3206	SIDE COVER
37	E39-5901	BAIL SPRING	79	351-5901	SIDE COVER SCREW A
38	F23-4001	BAIL SPRING COVER	80	351-7801	SIDE COVER SCREW B
39	F19-7303	ROLLER CLUTCH WASHER	81	F40-9001	HANDLE COLLAR
40	F76-5401	ROLLER CLUTCH	82	F75-4901	HANDLE SCREW
41	F18-3001	BEARING RET	83	F78-9401	HANDLE
42	351-1101	BEARING RET SCREW	84	160-8001	HANDLE WASHER