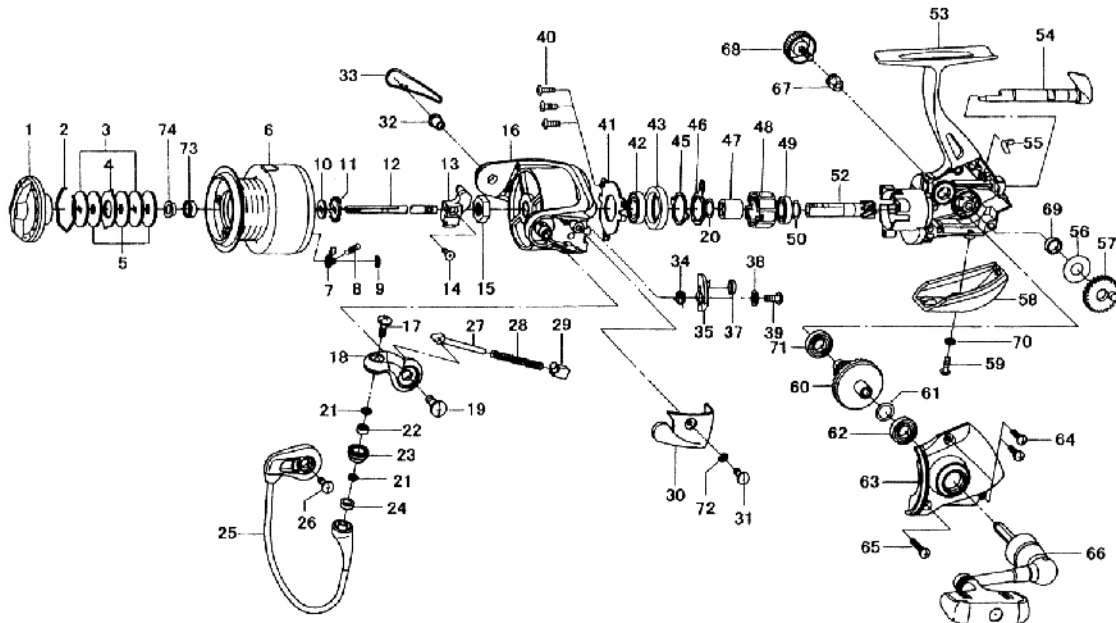


SPINNING REEL

TEAM DAIWA ADVANTAGE 3500/4000



Key No.	Parts No.	Parts Name
1	6G447701	Drag Knob
2	6F373301	Drag Washer Retainer
3	6F094901	Key Washer
4	63733603	Eared Washer
5	6E136001	Drag Washer
2-9	6G452301	Spool Assembly
2-9	6G452301	Spool Assembly (Extra Spool)
7	6B075304	Click Pawl
8	6G366501	Click Spring
9	63205901	Click Retainer
10	6F094701	Washer (A)
11	6E462701	Click Gear
12	6G291601	Main Shaft
13	6G025501	Oscillating Slider
14	63521505	Screw (A)
15	6G123301	Rotor Nut
16	6G230213	Rotor
17	6G195601	Screw (B)
18	6G194506	Bail Arm
19	6G224901	Screw (C)
20	63737814	Washer (I)
21	6F897101	Washer (B)
22	6G281601	Ball Bearing (A)
23	6F921601	Line Roller
24	6G047601	Collar (A)
25	6G514701	Bail Assembly
26	63516101	Screw (D)
27	6G017502	Bail Spring Shaft
28	6G148601	Bail Spring
29	6G017401	Bail Spring Holder
30	6G230306	Cover (A)
31	6G205102	Screw (E)
32	6G195101	Bail Holder Nut
33	6G450301	Cover (B)
34	6G194101	Bail Trip Lever Spring
35	6G265402	Bail Trip Lever
37	6G194301	Brake Shoe
38	63753002	Washer (C)
39	6G193701	Screw (F)
40	6G332701	Screw (G)
41	6G229901	Bearing Retainer
42	6G482001	Ball Bearing (B)
43	6F920602	Collar (B)
45	6F641501	Clutch Cam Retainer
46	6F641401	Clutch Cam
47	6F732203	Spacing Sleeve
48	6G314501	Roller Clutch
49	6G472701	Ball Bearing (C)
50	63737814	Washer (D)
52	6G291301	Pinion Gear
53	6G447201	Body
54	6G193114	Anti-Reverse Lever
55	6G193301	Anti-Reverse Cam Spring
56	6G131700	Washer (E)
57	6F747801	Oscillating Gear
58	6G230105	Rear Cover
59	6G400102	Screw (H)
60	6G025601	Drive Gear
61	63737800	Washer (F)
62	6E154001	Ball Bearing (D)
63	6G230009	Side Cover
64	6G332903	Screw (I)
65	6G333003	Screw (J)
66	6G447301	Handle Assembly
67	6F721201	Collar (C)
68	6F425806	Screw (K)
69	6F131601	Collar (D)
70	6G256401	Washer (G)
71	6E154001	Ball Bearing (E)
72	6G256401	Washer (H)
73	6G448101	Ball Bearing (F)
74	6G448201	Collar (E)

TDA 4000 SPECIAL PARTS		
Key No.	Parts No.	Parts Name
2-9	6G452501	Spool assembly
2-9	6G452501	Spool assembly (Extra spool)