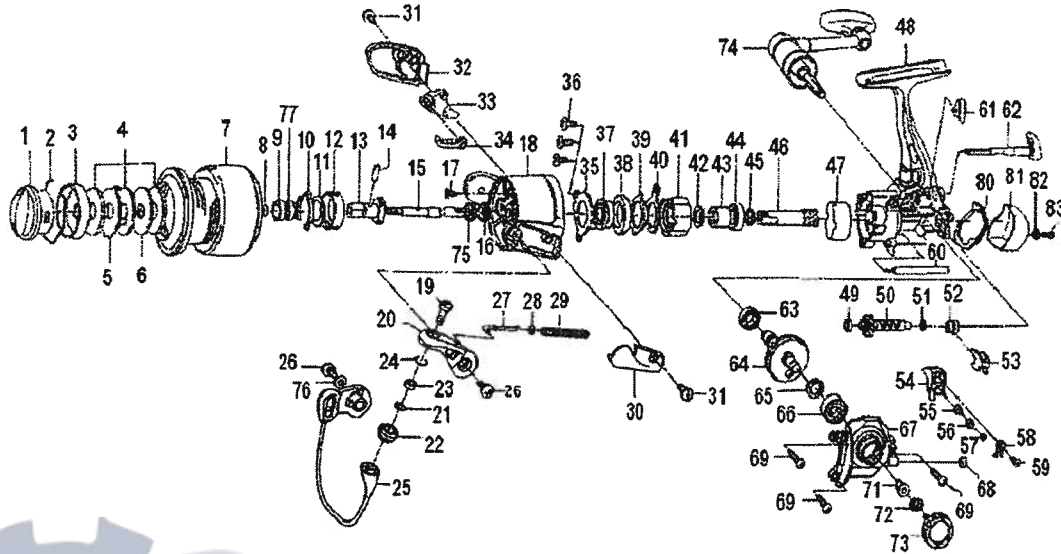
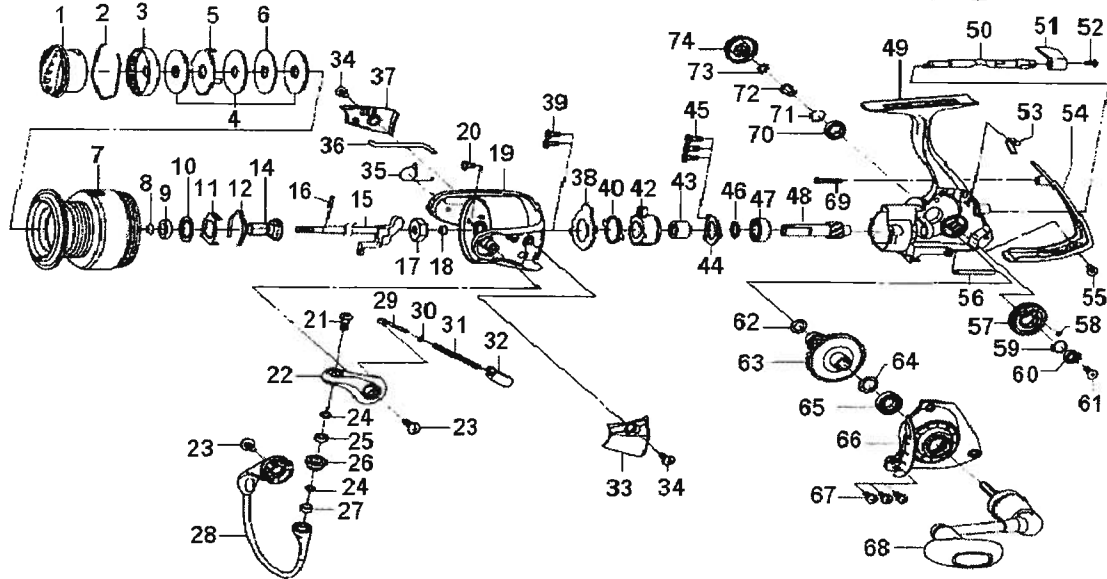


SPINNING REEL TEAM DAIWA FUEGO 2500



Key No.	Parts No.	Parts Name	Key No.	Parts No.	Parts Name
1	G77-4301	DRAG KNOB	41	G22-0601	ROLLER CLUTCH
2	F71-0001	DRAG WASHER RET	42	F89-1202	ROLLER CLUTCH WASHER
3	F89-5304	DRAG KNOB CLICK PLT	43	F84-6503	SPACING SLEEVE
4	F69-1001	DRAG WASHER	44	G27-9601	BALL BEARING D
5	F62-7301	EARED WASHER	45	F63-3503	PINION GEAR COLLAR
6	F62-7201	KEY WASHER	46	G56-6301	PINION GEAR
2-7	G77-4001	SPOOL	47	G27-9701	ROLLER CLUTCH COVER
8	F76-5901	O RING A	48	G70-2401	BODY
9	F01-6401	BALL BEARING A	49	F63-1401	WORM SHAFT BUSH
10	F70-4901	SPOOL CLICK LEAF SPRING	50	F91-0301	WORM SHAFT
11	F62-5501	SPOOL WASHER	51	375-4101	WORM SHAFT WASHER
12	F62-5401	CLICK LEAF SPRING HOLDER	52	F63-1501	WORM SHAFT COLLAR
13	F62-5301	SPOOL METAL	53	F89-0902	WORM SHAFT RET
14	G37-5001	PIN	54	F89-1601	OSC SLIDER
15	G28-1002	MAIN SHAFT	55	F89-1701	OSC PAWL
16	F97-9301	ROTOR NUT	56	F91-3001	OSC PAWL BUSH
17	B55-7604	ROTOR NUT LOCK SCREW	57	375-0801	OSC PAWL WASHER
18	F92-4906	ROTOR	58	F62-2901	OSC SLIDER COVER
19	F92-1701	LINE ROLLER SCREW	59	E15-0205	OSC SLIDER COVER SCREW
20	F89-2236	BAIL ARM	60	F89-0502	STABILIZER BAR
21	F89-7101	LINE ROLLER WASHER	61	F98-6701	A/R CAM SPRING
22	G47-0901	LINE ROLLER	62	F89-0313	A/R LEVER
23	G28-1601	BALL BEARING B	63	F01-6401	BALL BEARING E
24	G47-1101	O RING B	64	F05-5705	DRIVE GEAR
25	G70-2501	BAIL	65	375-8500	DRIVE GEAR WASHER
26	351-7701	BAIL HOLDER SCREW	66	636-6403	BALL BEARING F
27	F89-2301	BAIL SPRING SHAFT	67	F88-9808	SIDE COVER
28	E31-3901	BAIL SPRING WASHER	68	G28-1301	REAR COVER SCREW COLLAR
29	F89-2401	BAIL SPRING	69	351-1009	SIDE COVER SCREW
30	F89-2601	BAIL SPRING COVER	71	F72-1001	HANDLE COLLAR
31	351-1801	BAIL SPRING COVER SCREW	72	160-8101	LOCK WASHER
32	F89-3401	BAIL TRIP COVER	73	G61-4301	HANDLE SCREW
33	F62-4701	BAIL TRIP LEVER	74	G70-2601	HANDLE
34	F62-4601	BAIL TRIP PLT	75	F97-9401	ROTOR NUT WASHER
35	F89-1402	BEARING RET	76	G04-7901	BAIL HOLDER WASHER
36	351-7707	BEARING RET SCREW	77	G47-8001	BALL BEARING COLLAR
37	G28-0101	BALL BEARING C	80	F89-2003	REAR COVER SHIELD
38	G28-0001	BALL BEARING COLLAR	81	F89-2105	REAR COVER
39	G27-9901	CLUTCH CAM RET	82	G28-1401	REAR COVER SCREW WASHER
40	F89-6802	CLUTCH CAM	83	G28-2001	REAR COVER SCREW

SPINNING REEL TD TIERRA 1500/2000



Key No.	Parts No.	Parts Name
1	G84-7201	DRAG KNOB
2	F74-2501	DRAG WASHER RET
3	F90-8701	DRAG KNOB CLICK PLT
4	F63-5001	DRAG WASHER
5	F63-5201	EARED WASHER
6	F63-5101	KEY WASHER
2-7	G84-6901	SPOOL
8	G47-2401	SPOOL RET
9	G72-0401	SPOOL COLLAR
10	F62-5500	SPOOL WASHER
11	G69-3901	CLICK LEAF SPRING HOLDER
12	F70-4901	SPOOL CLICK LEAF SPRING
14	G62-7901	SPOOL METAL
15	G85-0101	MAIN SHAFT
16	G37-5001	PIN
17	G69-9801	ROTOR NUT
18	G69-9701	ROTOR NUT COLLAR
19	G63-0510	ROTOR
20	G62-7701	ROTOR NUT LOCK SCREW
21	G19-5602	LINE ROLLER SCREW
22	G61-2312	BAIL ARM
23	G20-5001	BAIL ARM SCREW
24	F89-7101	LINE ROLLER WASHER
25	G28-1601	BALL BEARING A
26	F92-1601	LINE ROLLER
27	G04-7601	LINE ROLLER COLLAR
28	G63-0701	BAIL
29	G47-1801	BAIL SPRING SHAFT
30	E31-3901	BAIL SPRING WASHER
31	G47-1701	BAIL SPRING
32	G61-2101	BAIL SPRING HOLDER
33	G63-0601	BAIL SPRING COVER
34	G27-0801	BAIL SPRING COVER SCREW
35	G61-3101	BAIL TRIP LEVER SPRING
36	G63-0801	BAIL TRIP LEVER
37	G63-0901	BAIL TRIP LEVER COVER
38	G61-1201	BEARING RET A
39	G55-7101	BEARING RET A SCREW

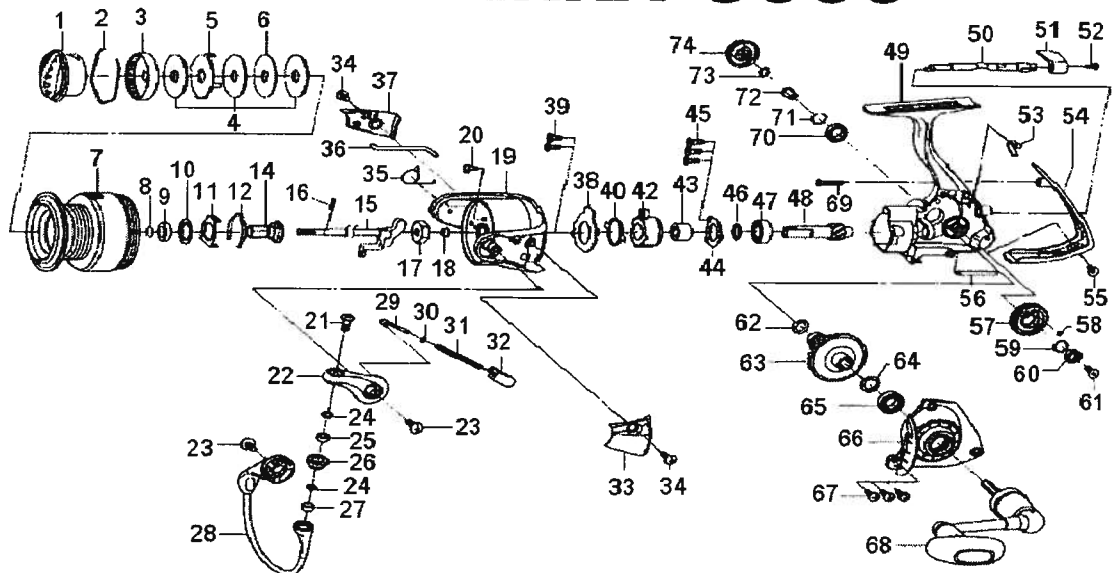
Key No.	Parts No.	Parts Name
40	G46-5401	CLUTCH CAM RET
42	G53-9201	ROLLER CLUTCH
43	G71-6201	SPACING SLEEVE
44	G46-7402	BEARING RET B
45	G55-7101	BEARING RET B SCREW
46	375-8509	BEARING RET WASHER
47	G53-5101	BALL BEARING B
48	G72-4601	PINION GEAR
49	G84-6301	BODY
50	G69-8601	A/R CAM
51	G69-9406	A/R LEVER
52	G69-9501	A/R LEVER SCREW
53	G72-6201	A/R CAM SPRING
54	G72-4901	REAR COVER
55	G33-2702	REAR COVER SCREW A
56	G62-9902	STABILIZER BAR
57	G62-9502	OSC GEAR
58	G46-6001	O RING A
59	G46-6100	OSC GEAR WASHER
60	F05-5602	BALL BEARING C
61	F20-6902	OSC GEAR SCREW
62	G67-0501	O RING B
63	G69-9001	DRIVE GEAR
64	375-8500	DRIVE GEAR WASHER
65	G46-7302	BALL BEARING D
66	G84-6601	SIDE COVER
67	G33-2902	SIDE COVER SCREW
68	G84-6701	HANDLE
69	E11-9602	REAR COVER SCREW B
70	F01-6401	BALL BEARING E
71	G47-2401	BALL BEARING RET
72	F72-1001	HANDLE COLLAR
73	160-8101	LOCK WASHER
74	G70-0201	HANDLE SCREW

TDTR2000 Special Parts

Key No.	Parts No.	Parts Name
2-7	G84-7301	SPOOL

SPINNING REEL

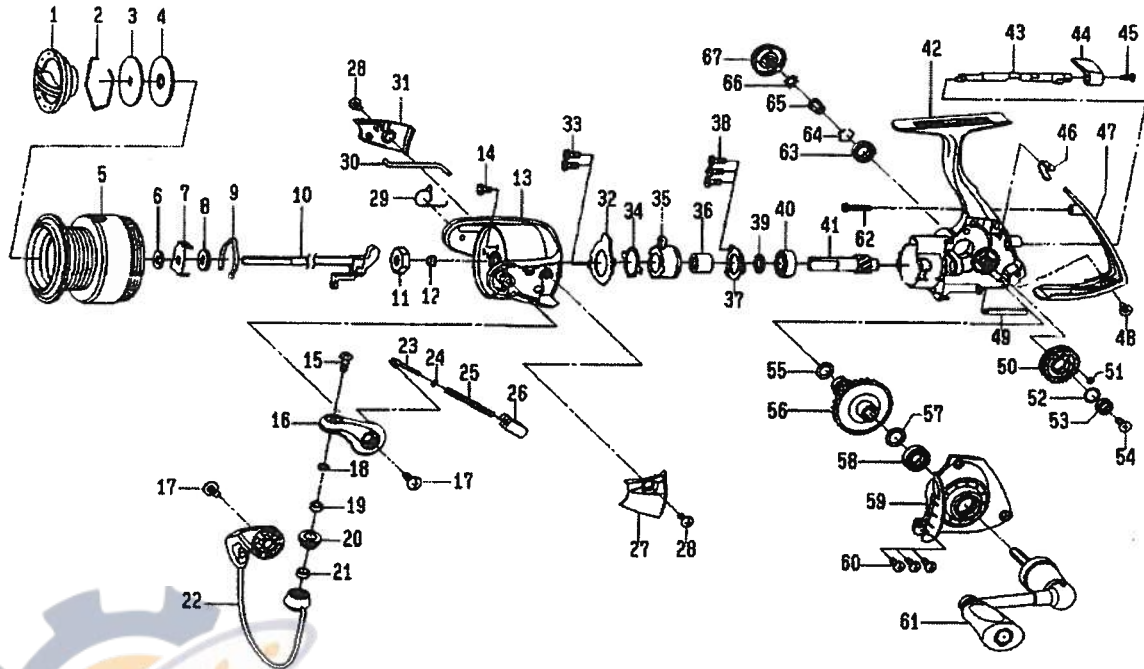
TD TIERRA 3000



Key No.	Parts No.	Parts Name	Key No.	Parts No.	Parts Name
1	G84-8401	DRAG KNOB	38	G61-1201	BEARING RET A
2	F71-0001	DRAG WASHER RET	39	G55-7101	BEARING RET A SCREW
3	F89-5304	DRAG KNOB CLICK PLT	40	G46-5401	CLUTCH CAM RET
4	F69-1001	DRAG WASHER	42	G53-9201	ROLLER CLUTCH
5	F62-7301	EARED WASHER	43	G71-6201	SPACING SLEEVE
6	F62-7201	KEY WASHER	44	G46-7402	BEARING RET B
2-7	G84-8501	SPOOL	45	G55-7101	BEARING RET B SCREW
8	G47-2401	SPOOL RET	46	375-8509	BEARING RET WASHER
9	G72-0401	SPOOL COLLAR	47	G53-5101	BALL BEARING B
10	F62-5500	SPOOL WASHER	48	G69-8901	PINION GEAR
11	G47-2201	CLICK LEAF SPRING HOLDER	49	G84-7601	BODY
12	F70-4901	SPOOL CLICK LEAF SPRING	50	G69-8601	A/R CAM
13	G46-8000	CLICK LEAF SPRING WASHER	51	G69-9406	A/R LEVER
14	G62-8801	SPOOL METAL	52	G69-9501	A/R LEVER SCREW
15	G85-0601	MAIN SHAFT	53	G72-6201	A/R CAM SPRING
16	G37-5001	PIN	54	G69-9301	REAR COVER
17	G69-9801	ROTOR NUT	55	G33-2702	REAR COVER SCREW A
18	G69-9701	ROTOR NUT COLLAR	56	G61-0802	STABILIZER BAR
19	G62-8311	ROTOR	57	G63-2102	OSC GEAR
20	G62-7701	ROTOR NUT LOCK SCREW	58	G46-6001	O RING A
21	G19-5602	LINE ROLLER SCREW	59	G46-6100	OSC GEAR WASHER
22	G61-2312	BAIL ARM	60	F05-5602	BALL BEARING C
23	G20-5001	BAIL ARM SCREW	61	F20-6902	OSC GEAR SCREW
24	F89-7101	LINE ROLLER WASHER	62	G67-0501	O RING B
25	G28-1601	BALL BEARING A	63	G69-9001	DRIVE GEAR
26	F92-1601	LINE ROLLER	64	375-8500	DRIVE GEAR WASHER
27	G04-7601	LINE ROLLER COLLAR	65	G46-7302	BALL BEARING D
28	G62-8501	BAIL	66	G84-7701	SIDE COVER
29	G47-1801	BAIL SPRING SHAFT	67	G33-2902	SIDE COVER SCREW
30	E31-3901	BAIL SPRING WASHER	68	G84-7801	HANDLE
31	G47-1701	BAIL SPRING	69	E11-9602	REAR COVER SCREW B
32	G61-2101	BAIL SPRING HOLDER	70	F01-6401	BALL BEARING E
33	G62-8401	BAIL SPRING COVER	71	G47-2401	BALL BEARING RET
34	G27-0801	BAIL SPRING COVER SCREW	72	F72-1001	HANDLE COLLAR
35	G61-3101	BAIL TRIP LEVER SPRING	73	160-8101	LOCK WASHER
36	G62-8601	BAIL TRIP LEVER	74	G70-0201	HANDLE SCREW
37	G62-8701	BAIL TRIP LEVER COVER			

SPINNING REEL

EXCELER 1500/2000

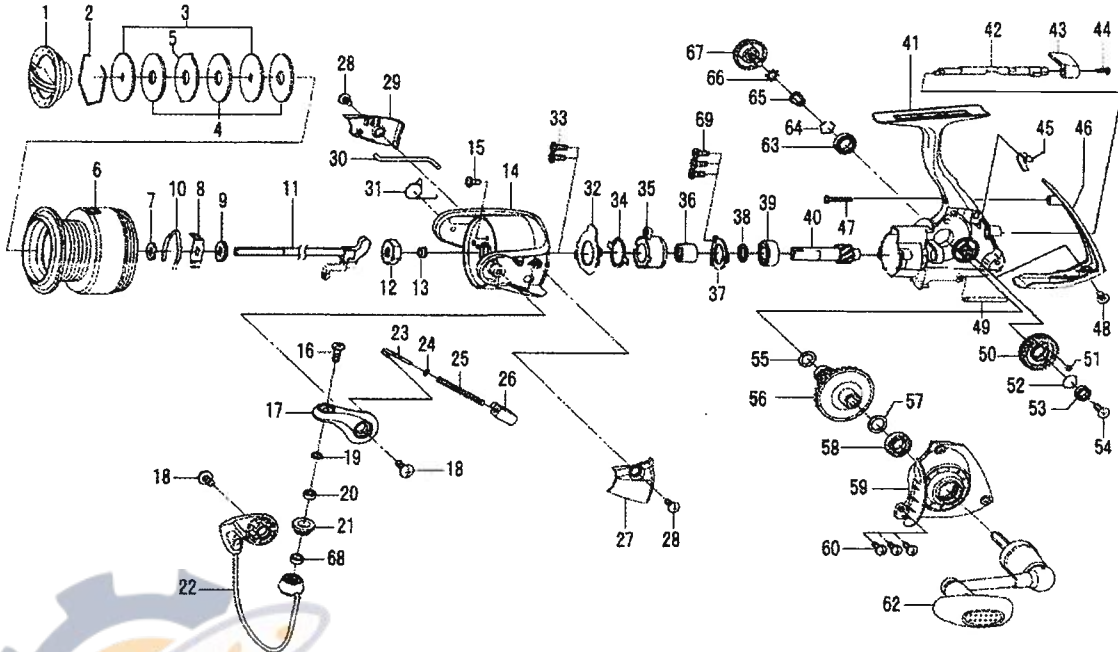


Key No.	Parts No.	Parts Name	Key No.	Parts No.	Parts Name
1	G72-5601	DRAG KNOB	37	G46-7402	BEARING RET
2	F88-4001	DRAG WASHER RET	38	G55-7101	BEARING RET SCREW
3	G70-0601	KEY WASHER	39	375-8509	BEARING RET WASHER
4	F69-1001	DRAG WASHER	40	G53-5101	BALL BEARING B
2-5	G72-5301	SPOOL	41	G72-4601	PINION GEAR
2-5	G77-5301	SPOOL (EXTRA)	42	G72-4201	BODY
6	E46-7101	SPOOL WASHER	43	G69-8601	A/R CAM
7	G70-0001	CLICK LEAF SPRING HOLDER	44	G69-9402	A/R LEVER
8	E24-6101	CLICK LEAF SPRING WASHER	45	G69-9501	A/R LEVER SCREW
9	F70-4901	SPOOL CLICK LEAF SPRING	45	G72-6201	A/R CAM SPRING
10	G72-4401	MAIN SHAFT	47	G72-4901	REAR COVER
11	G69-9801	ROTOR NUT	48	G33-2702	REAR COVER SCREW A
12	G69-9701	ROTOR NUT COLLAR	49	G62-9902	STABILIZER BAR
13	G63-0509	ROTOR	50	G62-9502	OSC GEAR
14	G62-7701	ROTOR NUT LOCK SCREW	51	G46-6001	O RING A
15	G19-5602	LINE ROLLER SCREW	52	G46-6100	OSC GEAR WASHER
16	G61-2310	BAIL ARM	53	F05-5602	BALL BEARING C
17	G20-5001	BAIL ARM SCREW	54	F20-6902	OSC GEAR SCREW
18	F89-7101	LINE ROLLER WASHER	55	G67-0501	O RING B
19	G28-1601	BALL BEARING A	56	G69-9001	DRIVE GEAR
20	F62-5001	LINE ROLLER	57	375-8500	DRIVE GEAR WASHER
21	F70-1801	LINE ROLLER COLLAR	58	G46-7302	BALL BEARING D
22	G72-5001	BAIL	59	G72-4701	SIDE COVER
23	G47-1801	BAIL SPRING SHAFT	60	G33-2902	SIDE COVER SCREW
24	E31-3901	BAIL SPRING WASHER	61	G72-5201	HANDLE
25	G47-1701	BAIL SPRING	62	E11-9602	REAR COVER SCREW B
26	G61-2101	BAIL SPRING HOLDER	63	F01-6401	BALL BEARING E
27	G63-0601	BAIL SPRING COVER	64	G47-2401	BALL BEARING RET
28	G27-0801	BAIL SPRING COVER SCREW	65	F72-1001	HANDLE COLLAR
29	G61-3101	BAIL TRIP LEVER SPRING	66	160-8101	LOCK WASHER
30	G63-0801	BAIL TRIP LEVER	67	G70-0201	HANDLE SCREW
31	G63-0901	BAIL TRIP LEVER COVER			
32	G61-1201	ROLLER CLUTCH RET			
33	G55-7101	ROLLER CLUTCH RET SCREW			
34	G46-5401	CLUTCH CAM RET			
35	G53-9201	ROLLER CLUTCH			
36	G71-6201	SPACING SLEEVE			

EXC2000 Special Parts

Key No.	Parts No.	Parts Name
2-5	G72-6301	SPOOL
2-5	G77-5601	SPOOL (EXTRA)

SPINNING REEL EXCELER 3000



Key No.	Parts No.	Parts Name	Key No.	Parts No.	Parts Name
1	G70-0801	DRAG KNOB	35	G53-9201	ROLLER CLUTCH
2	F88-4001	DRAG WASHER RET	36	G71-6201	SPACING SLEEVE
3	G70-0601	KEY WASHER	37	G46-7402	BEARING RET
4	F69-1001	DRAG WASHER	38	375-8509	BEARING RET WASHER
5	G70-0701	EARED WASHER	39	G53-5101	BALL BEARING B
2-6	G71-6901	SPOOL	40	G69-8901	PINION GEAR
2-6	G77-5901	SPOOL (EXTRA)	41	G69-8201	BODY
7	E46-7101	SPOOL WASHER	42	G69-8601	A/R CAM
8	G70-0001	CLICK LEAF SPRING HOLDER	43	G69-9402	A/R LEVER
9	E24-6101	CLICK LEAF SPRING WASHER	44	G69-9501	A/R LEVER SCREW
10	F70-4901	SPOOL CLICK LEAF SPRING	45	G72-6201	A/R CAM SPRING
11	G71-6501	MAIN SHAFT	46	G69-9301	REAR COVER
12	G69-9801	ROTOR NUT	47	E11-9602	REAR COVER SCREW A
13	G69-9701	ROTOR NUT COLLAR	48	G33-2702	REAR COVER SCREW B
14	G62-8309	ROTOR	49	G61-0802	STABILIZER BAR
15	G62-7701	ROTOR NUT LOCK SCREW	50	G63-2101	OSC GEAR
16	G19-5602	LINE ROLLER SCREW	51	G46-6001	O RING A
17	G61-2310	BAIL ARM	52	G46-6100	OSC GEAR WASHER
18	G20-5001	BAIL ARM SCREW	53	F05-5602	BALL BEARING C
19	F89-7101	LINE ROLLER WASHER	54	F20-6902	OSC GEAR SCREW
20	G28-1601	BALL BEARING A	55	G67-0501	O RING B
21	F62-5001	LINE ROLLER	56	G69-9001	DRIVE GEAR
22	G71-6701	BAIL	57	375-8500	DRIVE GEAR WASHER
23	G47-1801	BAIL SPRING SHAFT	58	G46-7302	BALL BEARING D
24	E31-3901	BAIL SPRING WASHER	59	G69-9101	SIDE COVER
25	G47-1701	BAIL SPRING	60	G33-2902	SIDE COVER SCREW
26	G61-2101	BAIL SPRING HOLDER	62	G69-9901	HANDLE
27	G62-8401	BAIL SPRING COVER	63	F01-6401	BALL BEARING E
28	G27-0801	BAIL SPRING COVER SCREW	64	G47-2401	BALL BEARING RET
29	G62-8701	BAIL TRIP LEVER COVER	65	F72-1001	HANDLE COLLAR
30	G62-8601	BAIL TRIP LEVER	66	160-8101	LOCK WASHER
31	G61-3101	BAIL TRIP LEVER SPRING	67	G70-0201	HANDLE SCREW
32	G61-1201	ROLLER CLUTCH RET	68	F70-1801	LINE ROLLER COLLAR
33	G55-7101	ROLLER CLUTCH RET SCREW	69	G55-7101	BEARING RET SCREW
34	G46-5401	CLUTCH CAM RET			