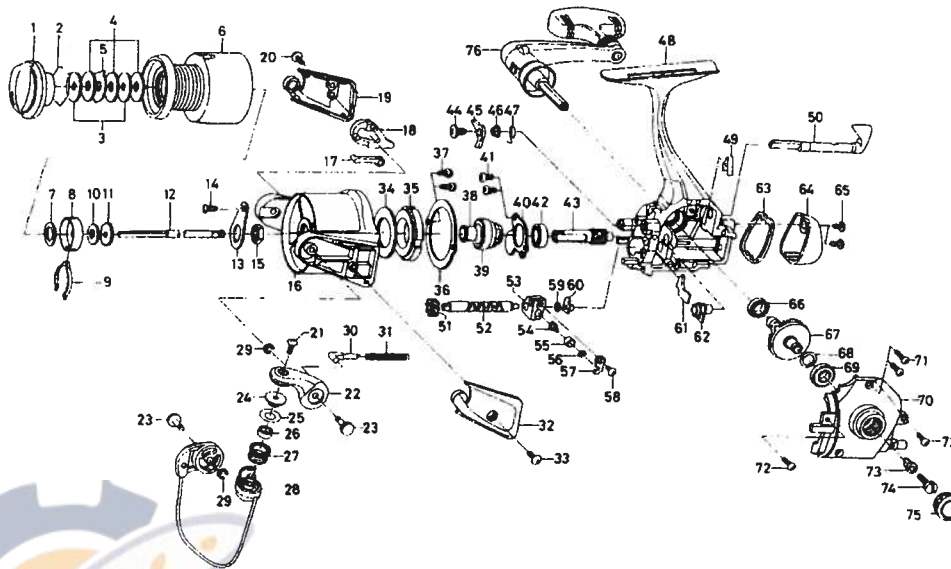


SPINNING REEL TEAM DAIWA-S3500iT/4000iT



Key No.	Parts No.	Parts Name	Key No.	Parts No.	Parts Name
2-6	F52-5501	Spool assembly	45	F18-1801	Anti-reverse pawl
1	F20-4607	Drag knob	46	F18-1701	Anti-reverse pawl collar
2	170-4101	Drag washer retainer	47	F37-4501	Anti-reverse pawl spring
3	E27-7801	Key washer	48	F52-5101	Body assembly
4	B36-0204	Drag washer	49	E32-7801	Anti-reverse cam spring
5	372-3832	Eared washer	50	F18-1002	Anti-reverse lever
6	F52-5601	Spool assembly	51	E42-0501	Worm shaft gear
7	E39-7901	Spool washer	52	F30-7802	Worm shaft
8	E12-2302	Click [eat spring holder	53	E37-6301	Oscillating slider
9	B74-7702	Spool click leaf spring	54	E19-1203	Oscillating pawl
10	375-4202	Main shaft washer	55	E19-1301	Oscillating pawl bush
11	E41-3101	Click gear	56	375-0801	Oscillating pawl washer
12	F18-5801	Main shaft	57	E37-6901	Oscillating slider cover
13	F18-9601	Rotor nut holding plate	58	E40-1501	Oscillating slider cover screw
14	B93-3001	Rotor nut holding plate screw	59	653-6100	Worm shaft washer
15	B10-5701	Rotor nut	60	F05-6901	Worm shaft collar
16	F49-9902	Rotor assembly	61	E48-2801	Shield plate
17	F08-0702	Bail trip plate	62	E48-2701	Pinion collar
18	F48-2301	Bail trip lever	63	F18-3403	Water shield
19	F50-0502	Bail trip cover	64	F18-3508	Rear cover
20	F38-5103	Rail trip cover screw	65	E36-4203	Rear cover screw
21	B67-9309	Line roller screw	66	B86-1701	Ball bearing C
22	F48-1902	Bail arm	67	E41-8603	Drive gear
23	F48-7501	Bail arm screw	68	373-7802	Drive gear washer
24	F44-6303	Line roller collar	69	E15-4001	Ball bearing D
25	F44-6202	Line roller washer	70	F18-2307	Side cover
26	F05-5601	Ball bearing A	71	E15-8603	Side cover screw A
27	F45-4902	Line roller	72	E15-7502	Side cover screw B
28	F52-5201	Bail assembly	73	F43-3502	Handle collar
29	320-5901	Bail trip cam screw retainer	74	363-8511	Handle screw
30	F24-6801	Bail spring shaft	75	F52-6501	Handle cap
31	F36-2501	Bail spring	76	F52-5301	Handle assembly
32	F50-0202	Bail spring cover			
33	E24-8103	Bail spring cover screw			
34	F19-7302	Oiled washer			
35	F18-2901	Roller clutch			
36	F18-3001	Roller clutch retainer			
37	E15-7502	Roller clutch retainer screw			
38	F18-1301	Spacing sleeve			
39	F18-1401	Anti-reverse ratchet			
40	F18-1201	Bearing retainer			
41	883-4402	Bearing retainer screw			
42	635-4801	Ball bearing B			
43	F26-5101	Pinion gear			
44	L00-1801	Anti-reverse pawl screw			

S4000IT SPECIAL PARTS		
Key No.	Parts No.	Parts Name
2-6	F52-6701	Spool assembly
6	F52-6801	Spool assembly
16	F50-0602	Rotor assembly
28	F52-6601	Bail assembly