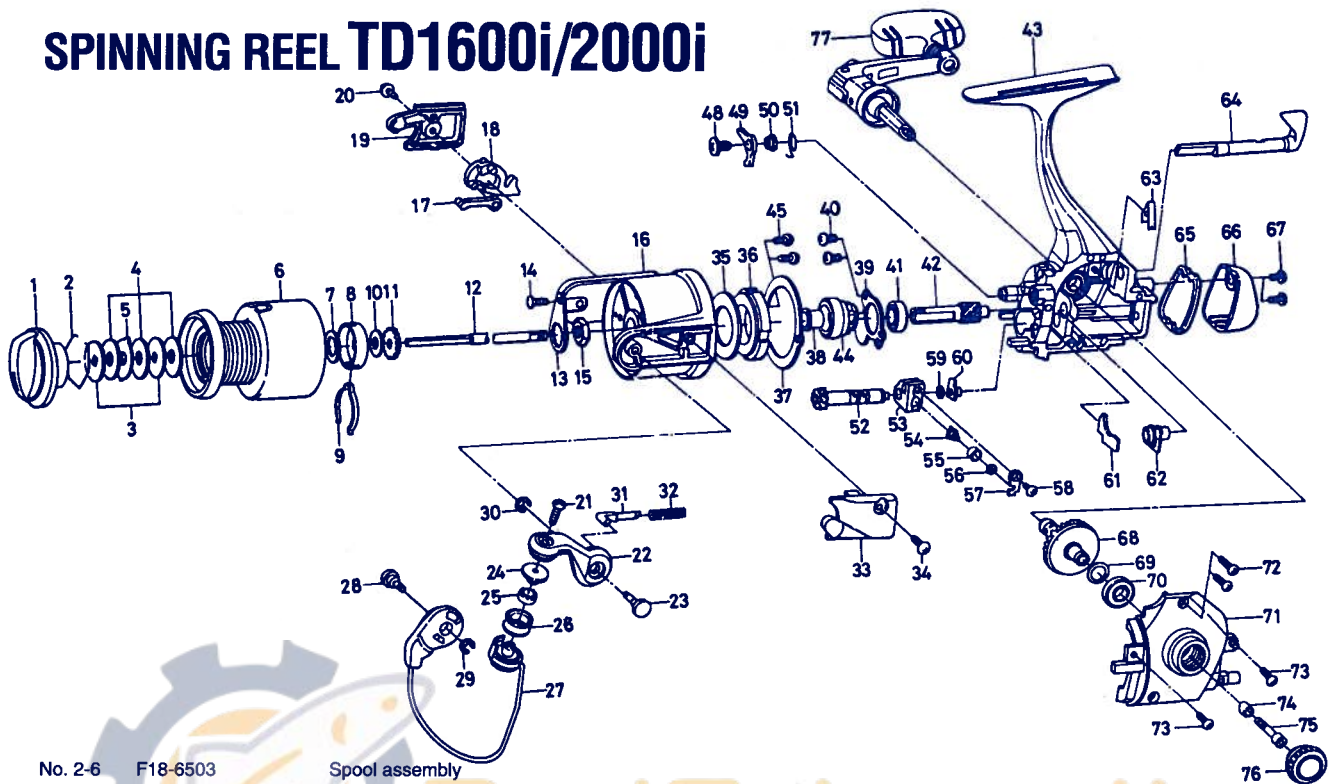


Please order by part number, not key number.

SPINNING REEL TD1600i/2000i



No. 2-6 F18-6503

Spool assembly

Key
NO.

| Key NO. | Parts No. | Parts Name |
|---------|-----------|-------------------------------|
| 1 | F20-4602 | Drag knob |
| 2 | 170-4101 | Drag washer retainer |
| 3 | E27-7801 | Key washer |
| 4 | B36-0204 | Drag washer |
| 5 | 372-3832 | Eared washer |
| 6 | F18-6603 | Spool assembly |
| 7 | E39-7901 | Spool washer |
| 8 | E12-2302 | Click leaf spring holder |
| 9 | B74-7702 | Spool click leaf spring |
| 10 | 375-4202 | Main shaft washer |
| 11 | E41-3101 | Click gear |
| 12 | F1B-5801 | Main shaft assembly |
| 13 | F18-9601 | Rotor nut holding plate |
| 14 | E24-8101 | Rotor nut holding plate screw |
| 15 | B10-5701 | Rotor nut |
| 16 | F22-8202 | Rotor |
| 17 | F08-0701 | Bail trip plate |
| 18 | F01-4401 | Bail trip lever |
| 19 | F18-2804 | Bail trip cover |
| 20 | E36-4201 | Bail trip cover screw |
| 21 | B67-9305 | Line roller screw |
| 22 | F17-6505 | Bail arm |
| 23 | F15-2501 | Bail arm screw |
| 24 | F06-6301 | Line roller collar |
| 25 | F05-5601 | Ball bearing A |
| 26 | F05-8901 | Line roller |
| 27 | F18-6101 | Bail assembly |
| 28 | F15-2501 | Bail trip cam screw |
| 29 | 320-5901 | Bail trip cam screw retainer |
| 30 | 320-5901 | Bail arm screw retainer |
| 31 | F24-6801 | Bail spring shaft |
| 32 | E39-0601 | Sail spring |
| 33 | F18-2504 | Bail spring cover |
| 34 | E36-4201 | Bail spring cover screw |
| 35 | F19-7301 | Oiled washer |
| 36 | F18-2901 | Roller clutch |
| 37 | F18-3001 | Roller clutch retainer |
| 38 | F18-1301 | Spacing sleeve |
| 39 | F18-1201 | Bearing retainer |
| 40 | B83-4402 | Bearing retainer screw |
| 41 | 635-4801 | Ball bearing B |

Key
NO.

| Key NO. | Parts No. | Parts Name |
|---------|-----------|--------------------------------|
| 42 | F26-5101 | Pinion gear |
| 43 | F26-5001 | Body assembly |
| 44 | F18-1401 | Anti-reverse ratchet |
| 45 | E15-7502 | Roller clutch screw |
| 48 | L00-1801 | Anti-reverse pawl screw |
| 49 | F18-1801 | Anti-reverse pawl |
| 50 | F18-1701 | Anti-reverse pawl collar |
| 51 | F18-1901 | Anti-reverse pawl spring |
| 52 | F26-8101 | Worm shaft |
| 53 | E37-6301 | Oscillating slider |
| 54 | E19-1202 | Oscillating pawl |
| 55 | E19-1301 | Oscillating pawl bush |
| 56 | 375-0800 | Oscillating pawl washer |
| 57 | E37-6901 | Oscillating slider cover |
| 58 | E40-1501 | Oscillating slider cover screw |
| 59 | B53-6100 | Worm shaft washer |
| 60 | F05-6901 | Worm shaft collar |
| 61 | E48-2801 | Shield plate |
| 62 | E48-2701 | Pinion collar |
| 63 | E26-8701 | Anti-reverse cam spring |
| 64 | F18-1003 | Anti-reverse lever |
| 65 | F18-3403 | Water shield |
| 66 | F18-3503 | Rear cover |
| 67 | E24-8102 | Rear cover screw |
| 68 | E41-8602 | Drive gear |
| 69 | 373-7800 | Drive gear washer |
| 70 | E15-4001 | Ball bearing C |
| 71 | F18-2303 | Side cover |
| 72 | E15-8601 | Side cover screw A |
| 73 | E15-7502 | Side cover screw B |
| 74 | F30-3701 | Handle collar |
| 75 | F30-3701 | Handle screw |
| 76 | F18-3902 | Handle screw cap |
| 77 | F26-5701 | Handle assembly |

TD2000I SPECIAL PARTS

| | | |
|-----|----------|----------------|
| 2-6 | F18-6803 | Spool assembly |
| 6 | F18-6903 | Spool assembly |
| 16 | F22-8302 | Rotor |
| 27 | F18-6201 | Bail assembly |