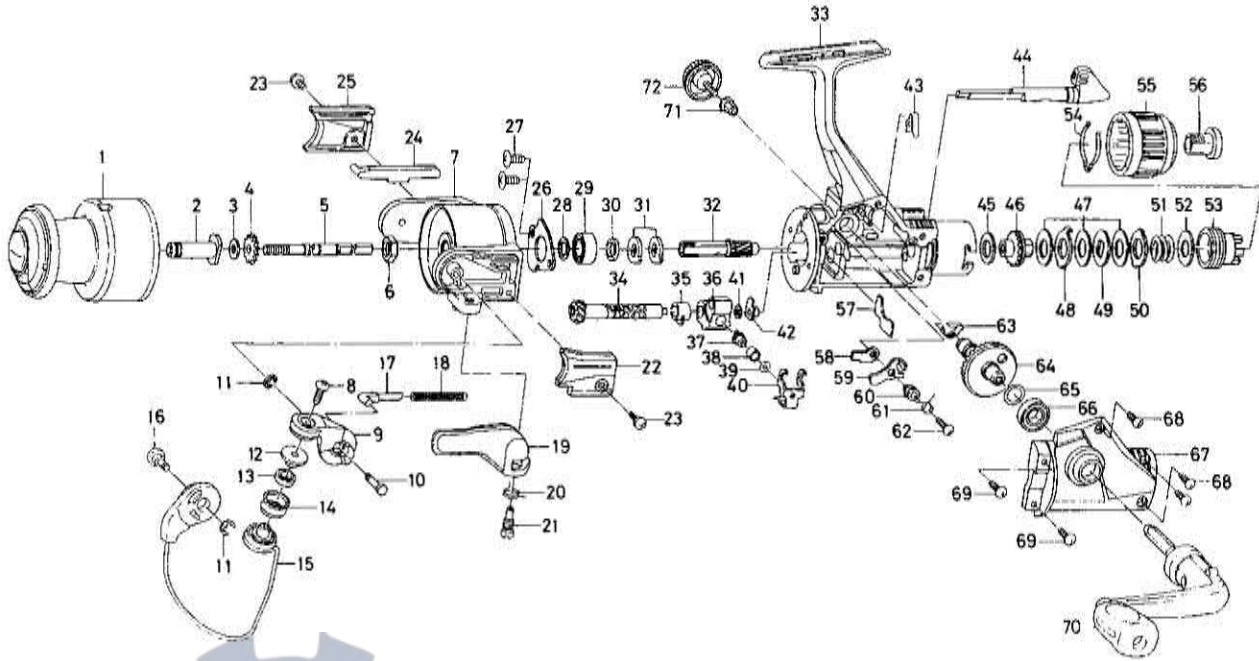


SPINNING REEL — TD755H



Key No.	Part No.	Part Name
1	F07-4202	Spool assembly
2	F07-4601	Spool metal
3	375-3002	Spool washer
4	E13-1201	Main shaft washer
5	F07-3201	Main shaft
6	341-9201	Rotor nut
7	E37-3203	Rotor
8	B67-9305	Line roller screw
9	F11-0001	Bail arm
10	E37-3401	Bail arm screw
11	320-5901	Bail arm screw retainer
12	F06-6301	Line roller collar
13	F05-5601	Ball bearing A
14	F05-8901	Line roller
15	E49-3301	Bail assembly
16	E38-3101	Bail trip cam screw
17	E36-8201	Bail spring shaft
18	E51-4401	Ball spring
19	E49-3401	Trigger lever
20	E36-9901	Trigger spring
21	E37-0001	Trigger screw
22	E37-3502	Bail spring cover
23	E36-4201	Bail spring cover screw
24	E36-8401	Bail trip lever
25	E36-8505	Bail trip cover
26	F05-7101	Bearing retainer
27	E03-7801	Bearing retainer screw
28	375-8503	Bearing washer
29	634-1301	Ball bearing B
30	E29-6101	Spacing sleeve
31	E36-9401	Anti-reverse ratchet
32	F07-3101	Pinion gear
33	F11-1001	Body assembly
34	F07-2701	Worm shaft
35	F07-3001	Worm shaft bush
36	F07-2601	Oscillating slider

Key No.	Part No.	Part Name
37	E12-2403	Oscillating pawl
38	E12-4601	Oscillating pawl bush
39	375-0800	Oscillating pawl washer
40	F07-3301	Oscillating slider cover
41	B53-6100	Worm shaft washer
42	F05-6901	Worm shaft collar
43	E26-8701	Anti-reverse cam spring
44	F07-2401	Anti-reverse lever
45	B48-9902	Drag washer A
46	F07-3701	Click gear
47	B49-0202	Drag washer B
48	B63-8301	Eared washer A
49	B49-0301	Key washer
50	B49-0102	Eared washer B
51	B92-6703	Drag coil spring
52	372-7601	Drag screw washer
53	F07-6301	Drag screw
54	B74-7702	Drag washer spring
55	F07-6401	Drag knob
56	F05-7801	Drag knob screw
57	F08-7201	Shield plate
58	B95-9301	Anti-reverse pawl plate
59	E27-1301	Anti-reverse pawl
60	B95-9501	Anti-reverse pawl collar
61	B95-9602	Anti-reverse pawl spring A
62	B00-8601	Anti-reverse pawl screw
63	E29-6902	Anti-reverse pawl spring B
64	E34-1501	Drive gear
65	375-8501	Drive gear washer
66	634-1301	Ball bearing B
67	F11-1101	Side cover
68	E13-0502	Side cover screw A
69	E13-0501	Side cover screw B
70	F02-0401	Handle assembly
71	501-8501	Handle collar
72	F03-5602	Handle lock screw