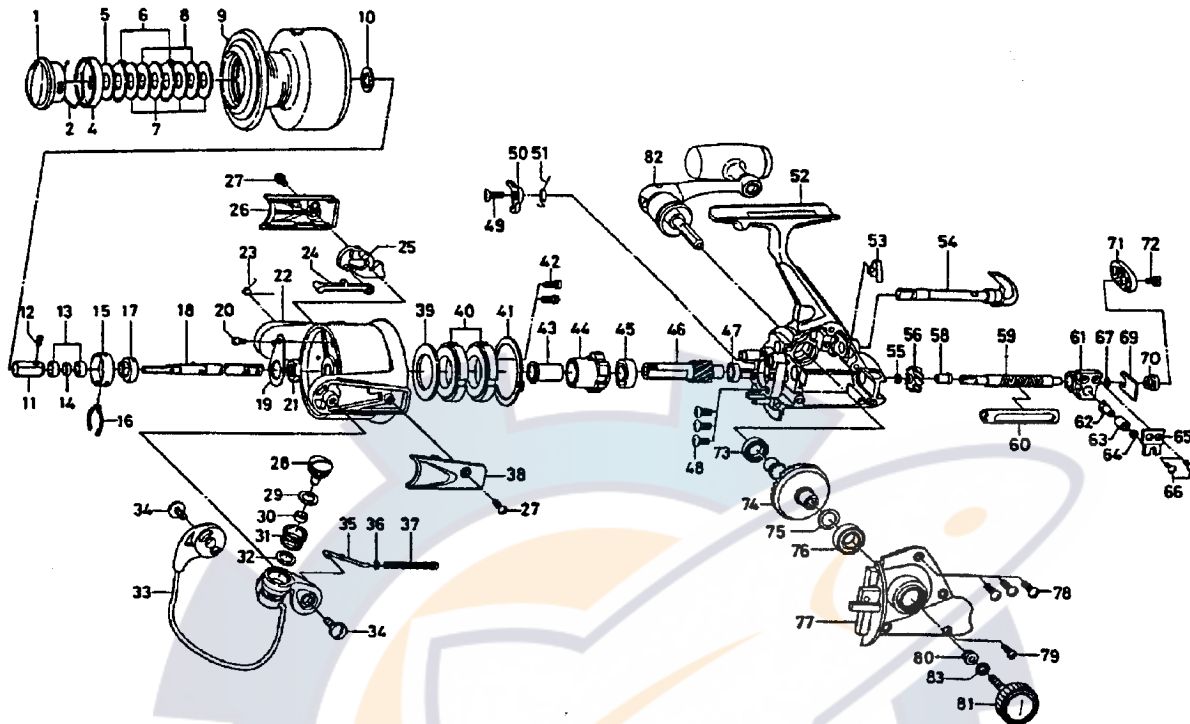




SPINNING REEL TOURNAMENT-S6000HA



Key No.	Parts No.	Parts Name	Key No.	Parts No.	Parts Name
2-9	G13-5001	SPOOL	42	351-1101	ROLLER CLUTCH SCREW
1	G01-3301	DRAG KNOB	43	F24-2401	SPACING SLEEVE
2	F71-0001	DRAG WASHER RET	44	F24-4801	A/R RATCHET
4	F75-6001	DRAG KNOB CLICK PLT	45	637-6101	BALL BEARING C
5	F75-5801	DRAG WASHER A	46	F75-6501	PINION GEAR
6	F75-5701	EARED WASHER	47	B86-1702	BALL BEARING D
7	F75-5501	DRAG WASHER B	48	F25-2401	BALL BEARING SCREW
8	F75-5601	KEY WASHER	49	F24-7101	A/R PAWL SCREW
10	F13-7501	SPOOL WASHER	50	F24-2701	A/R PAWL
11	F23-5701	SHAFT METAL	51	F24-2801	A/R PAWL SPRING
12	F23-5801	SHAFT METAL SCREW	52	G01-4901	BODY
13	B35-8601	BALL BEARING A	53	E32-7801	A/R CAM SPRING
14	F23-5601	SHAFT METAL COLLAR	54	F23-7506	A/R LEVER
15	E12-2301	CLICK LEAF SPRING HOLDER	55	320-5901	WORM SHAFT GEAR RET
16	B74-7701	SPOOL CLICK LEAF SPRING	56	F75-6601	WORM SHAFT GEAR
17	F80-2301	SPOOL METAL	58	F26-0701	WORM SHAFT BUSH
18	F56-9701	MAIN SHAFT	59	F26-0601	WORM SHAFT
19	F81-9002	ROTOR NUT HOLD PLT	60	F26-0502	WORM SHIELD
20	352-2201	ROTOR NUT HOLD PLT SCREW	61	F25-9402	OSC SLIDER
21	B43-7603	ROTOR NUT	62	E26-4101	OSC PAWL
22	F57-1404	ROTOR	63	E26-4201	OSC PAWL BUSH
23	F29-6801	BAIL TRIP LEVER SPRING	64	375-0801	OSC PAWL WASHER
24	F24-3902	BAIL TRIP PLT	65	E26-4301	OSC SLIDER COVER
25	F23-4202	BAIL TRIP LEVER	66	352-1505	OSC SLIDER COVER SCREW
26	F24-4604	BAIL TRIP COVER	67	375-4101	OSC SLIDER WASHER
27	F29-9501	BAIL TRIP COVER SCREW	69	F23-2601	WORM SHAFT RET
28	F23-4404	LINE ROLLER SCREW	70	F25-7002	WORM SHAFT COLLAR
29	373-2701	LINE ROLLER WASHER A	71	F24-3501	REAR COVER
30	F84-4901	BALL BEARING B	72	F60-5101	REAR COVER SCREW
31	F51-0001	LINE ROLLER	73	B54-6001	BALL BEARING E
32	F44-6202	LINE ROLLER WASHER B	74	F75-6701	DRIVE GEAR
33	G01-4501	BAIL	75	371-2824	DRIVE GEAR WASHER
34	F23-3903	BAIL HOLDER SCREW	76	635-4801	BALL BEARING F
35	E32-6701	BAIL SPRING SHAFT	77	F24-3410	SIDE COVER
36	E31-3901	BAIL SPRING WASHER	78	F29-8902	SIDE COVER SCREW A
37	F30-4301	BAIL SPRING	79	351-7802	SIDE COVER SCREW B
38	F24-3804	BAIL SPRING COVER	80	F40-9001	HANDLE COLLAR
39	F19-7302	ROLLER CLUTCH WASHER	81	F75-4901	HANDLE SCREW
40	F76-5401	ROLLER CLUTCH	82	G01-5001	HANDLE
41	F18-3001	BEARING RET	83	160-8001	HANDLE SCREW WASHER