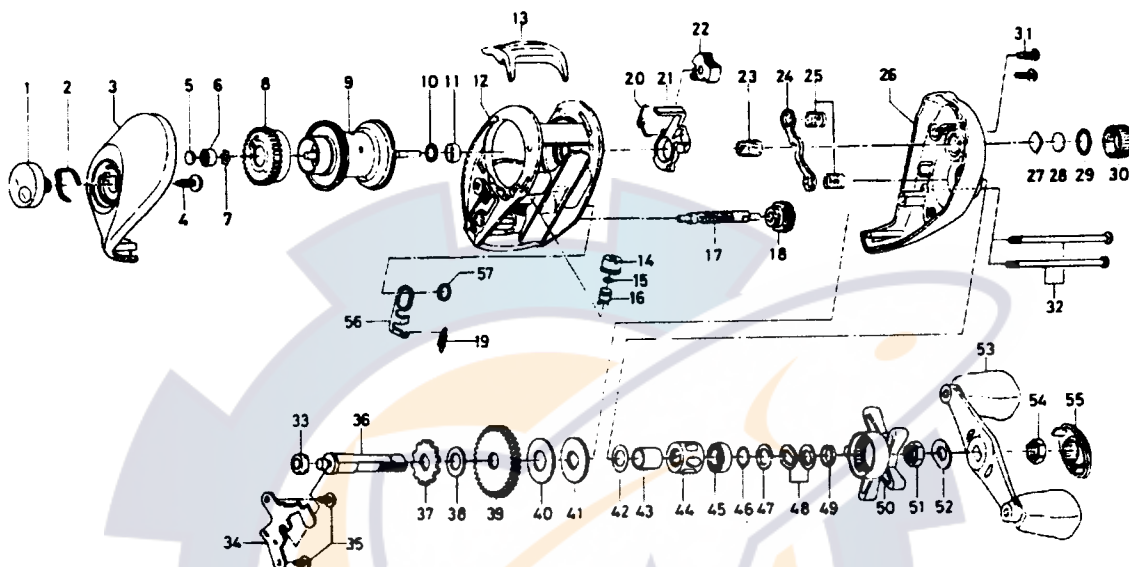




Please order by part number, not key number.

BAITCASTING REEL TRIFORCE TE-X150i



Key No.	Parts No.	Parts Name	Key No.	Parts No.	Parts Name
1	F40-3608	Brake adjusting knob	33	B55-0301	Bushing C
2	F03-2401	Brake click spring	34	F43-9701	Drive shaft retainer
3	F40-3308	Left side plate	35	F21-2201	Drive shaft retainer screw
4	B84-2102	Brake adjusting knob screw	36	F41-1201	Drive shaft
5	374-9102	Spacer A	37	E32-7701	Anti-reverse ratchet
6	F40-3701	Bushing A	38	375-7103	Drive shaft washer
7	F41-2301	Bearing retainer	39	F40-2501	Drive gear
8	E23-9501	Magnet holder	40	B36-0209	Drag washer
9	F43-4301	Spool assembly	41	B36-0303	Key washer
10	F45-0601	Bushing retainer	42	E42-5401	Spacing sleeve
11	E35-1501	Bushing B	43	F40-7901	Gear shaft collar
12	F50-5601	Frame assembly	44	F40-8001	Roller clutch
13	F40-2001	Clutch lever	45	F05-5501	Ball bearing
14	375-0801	Pawl cap	46	B55-3801	Bearing washer A
15	375-4100	Line guide washer	47	373-7810	Bearing washer B
16	121-4214	Line guide pawl	48	150-8901	Drag spring washer
17	E45-1201	Worm shaft	49	B97-4901	Spacing sleeve
18	F06-1301	Worm shaft gear	50	F40-3201	Star drag
19	144-2501	Clutch trip plate spring	51	B43-3601	Drag nut
20	E24-9001	Clutch cam spring	52	150-9001	Friction washer
21	E23-7401	Clutch cam	53	F43-8301	Handle assembly
22	E24-9101	Flipping/casting selector	54	B43-3601	Handle nut
23	F40-9202	Pinion gear	55	F40-8403	Handle nut retainer
24	E23-7701	Yoke	56	F42-8801	Clutch trip plate
25	E16-7101	Yoke spring	57	F44-0201	Clutch trip plate retainer
26	F40-7812	Right side plate			
27	B17-5401	Spool adjusting cap metal			
28	B17-5503	Spacer B			
29	171-5201	"O" ring			
30	F40-3001	Cast control cap			
31	E33-0401	Set plate screw			
32	E28-4901	Right side plate screw			