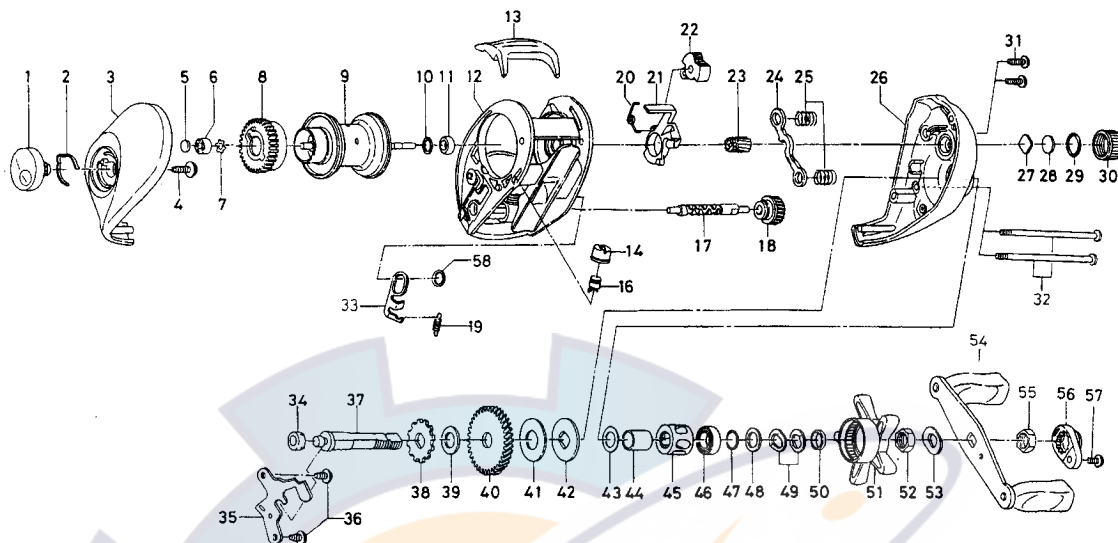




BAITCASTING REEL TRIFORCE-X150iV / 153iV



Key No.	Parts No.	Parts Name	Key No.	Parts No.	Parts Name
1	F40-3613	BRAKE ADJ KNOB	34	B55-0301	BUSHING C
2	F03-2401	BRAKE CLICK SPRING	35	F43-9701	DRIVE SHAFT RET
3	F40-3309	L/S PLT	36	F21-2201	DRIVE SHAFT RET SCREW
4	B84-2102	BRAKE ADJ KNOB SCREW	37	F40-2301	DRIVE SHAFT
5	374-9102	SPACER A	38	E32-7701	A/R RATCHET
6	F40-3701	BUSHING A	39	375-7103	DRIVE SHAFT WASHER
7	F41-2301	BEARING RET	40	F40-2501	DRIVE GEAR
8	E23-9501	MAGNET HOLDER	41	F60-2401	DRAG WASHER
9	F43-4201	SPOOL	42	B36-0303	KEY WASHER
10	F45-0601	BUSHING RET	43	E42-5401	SPACING SLEEVE A
11	E35-1501	BUSHING B	44	F40-7901	GEAR SHAFT COLLAR
12	F61-6401	FRAME	45	F40-8001	ROLLER CLUTCH
13	F40-2001	CLUTCH LEVER	46	F05-5501	BALL BEARING
14	F40-2801	PAWL CAP	47	B55-3801	BEARING WASHER A
16	F51-6501	LINE GUIDE PAWL	48	373-7810	BEARING WASHER B
17	F51-0301	WORM SHAFT	49	150-8901	DRAG SPRING WASHER
18	F06-1301	WORM SHAFT GEAR	50	B97-4901	SPACING SLEEVE B
19	F63-9901	CLUTCH TRIP PLT SPRING	51	F40-3201	STAR DRAG
20	E24-9001	CLUTCH CAM SPRING	52	B43-3601	DRAG NUT
21	E23-7401	CLUTCH CAM	53	150-9001	FRICITION WASHER
22	E24-9101	FLIPPING CAST SELECTOR	54	F61-9101	HANDLE
23	F40-9202	PINION GEAR	55	B43-3601	HANDLE NUT
24	E23-7701	YOKE	56	F05-4401	HANDLE NUT RET
25	E16-7101	YOKE SPRING	57	351-1803	HANDLE NUT PLT SCREW
26	F40-7817	R/S PLT	58	F44-0201	CLUTCH TRIP PLT RET
27	B17-5401	SPOOL ADJ CAP METAL			
28	B17-5503	SPACER B			
29	171-5201	O RING			
30	F40-3001	CAST CONTROL CAP			
31	E33-0401	SET PLT SCREW			
32	E28-4901	R/S PLT SCREW			
33	F42-8801	CLUTCH TRIP PLT			

TF-X153IV		
Key No.	Parts No.	Parts Name
9	F62-9901	SPOOL
12	F61-6501	FRAME