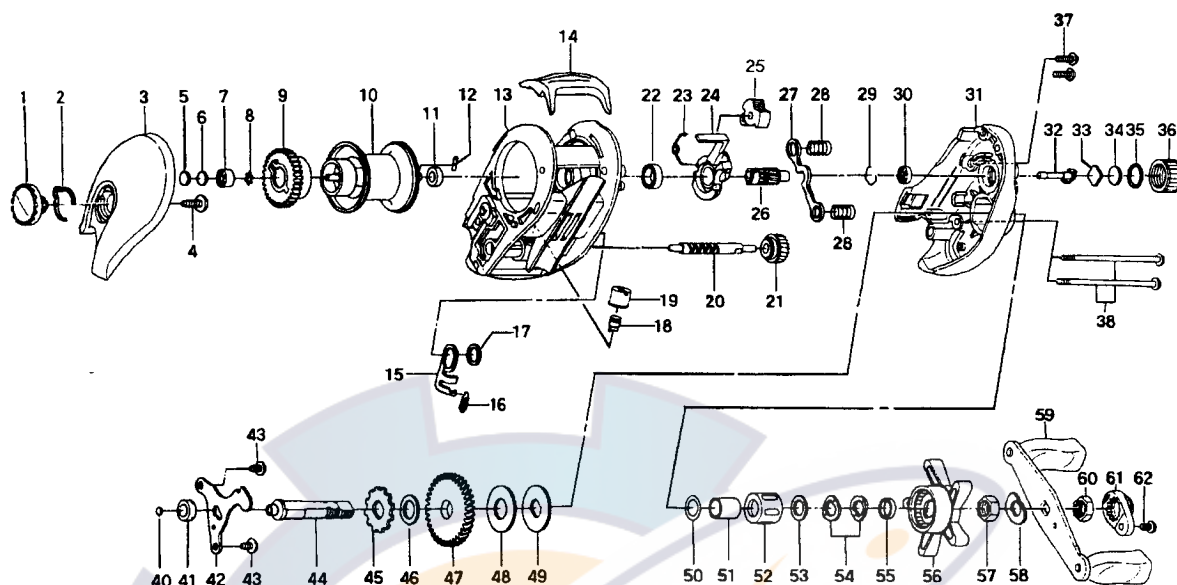


# TRIFORCE-X153A



Key No.	Parts No.	Parts Name	Key No.	Parts No.	Parts Name
1	F82-1202	BRAKE ADJ KNOB	33	B17-5401	SPOOL ADJ CAP METAL A
2	F05-1701	BRAKE CLICK SPRING	34	B17-5503	SPOOL ADJ CAP METAL B
3	F82-1003	L/S PLT	35	171-5201	O RING
4	B84-2102	BRAKE ADJ KNOB SCREW	36	F40-3002	CAST CONTROL CAP
5	371-9103	SPACER A	37	E33-0402	SET PLT SCREW
6	374-9105	SPACER B	38	E28-4901	R/S PLT SCREW
7	F40-3701	BUSHING A	40	F64-7201	DRIVE SHAFT WASHER A
8	F41-2301	BEARING RET A	41	B55-0301	BUSHING C
9	E23-9501	MAGNET HOLDER	42	F88-7801	DRIVE SHAFT RET
10-12	F82-2301	SPOOL	43	F21-2201	DRIVE SHAFT RET SCREW
13	F82-2201	FRAME	44	F88-2101	DRIVE SHAFT
14	F40-2007	CLUTCH LEVER	45	E32-7701	A/R RATCHET
15	F42-8801	CLUTCH TRIP PLT	46	375-7103	DRIVE SHAFT WASHER B
16	F63-9901	CLUTCH TRIP PLT SPRING	47	F40-2501	DRIVE GEAR
17	F44-0201	CLUTCH TRIP PLT WASHER	48	F60-2401	DRAG WASHER A
18	F51-6501	LINE GUIDE PAWL	49	B36-0303	KEY WASHER
19	F40-2801	PAWL CAP	50	E42-5401	DRAG WASHER B
20	F51-0301	WORM SHAFT	51	F82-1301	GEAR SHAFT COLLAR
21	F67-5101	WORM SHAFT GEAR	52	F58-0601	ROLLER CLUTCH
22	B86-1702	BALL BEARING	53	373-7810	DRAG WASHER C
23	F73-1201	CLUTCH CAM SPRING	54	150-8901	DRAG SPRING WASHER
24	F64-7001	CLUTCH CAM	55	B97-4901	HANDLE COLLAR
25	F76-2602	FLIPPING CAST SELECTOR	56	F40-3202	STAR DRAG
26	F58-3401	PINION GEAR	57	B43-3601	DRAG NUT
27	E23-7701	YOKE	58	150-9001	FRICTION WASHER
28	F86-4101	YOKE SPRING	59	F78-7502	HANDLE
29	E21-9701	BEARING RET B	60	B43-3601	HANDLE NUT
30	F64-8301	BUSHING B	61	F05-4402	HANDLE NUT PLT
31	F82-0803	R/S PLT	62	351-1801	HANDLE NUT PLT SCREW
32	F74-3001	PINION SHAFT			