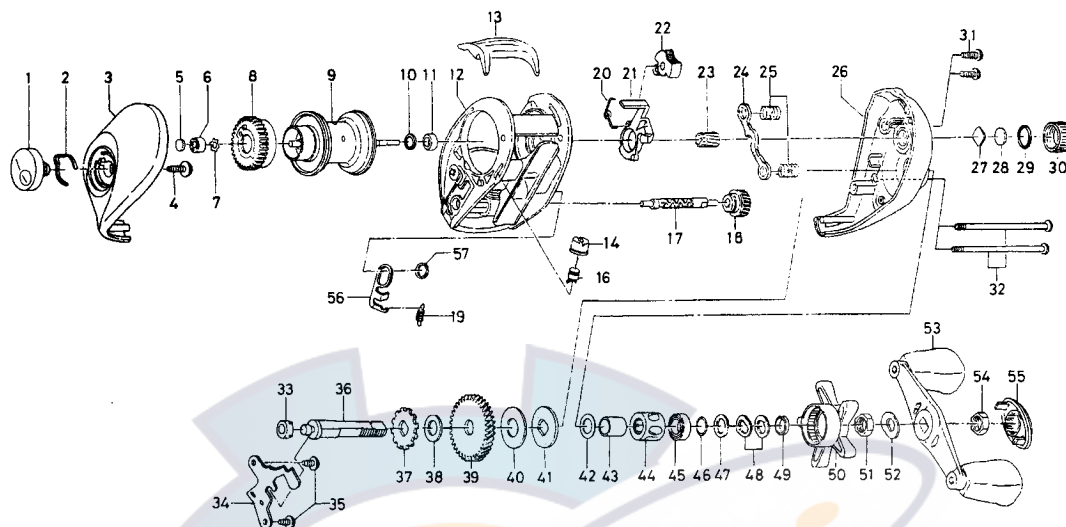




BAITCASTING REEL TRIFORCE-Z150iV / 153iV



Key No.	Parts No.	Parts Name	Key No.	Parts No.	Parts Name
1	F40-3614	BRAKE ADJ KNOB	33	B55-0301	BUSHING B
2	F03-2401	BRAKE CLICK SPRING	34	F43-9701	DRIVE SHAFT RET
3	F40-3310	L/S PLT	35	F21-2201	DRIVE SHAFT RET SCREW
4	B84-2102	BRAKE ADJ KNOB SCREW	36	F41-1201	DRIVE SHAFT
5	374-9102	SPACER A	37	E32-7701	A/R RATCHET
6	F40-3701	BUSHING A	38	375-7103	DRIVE SHAFT WASHER
7	F41-2301	BEARING RET	39	F40-2501	DRIVE GEAR
8	E23-9501	MAGNET HOLDER	40	F60-2401	DRAG WASHER
9	F43-4302	SPOOL	41	B36-0303	KEY WASHER
10	F45-0601	BUSHING RET	42	E42-5401	SPACING SLEEVE A
11	B35-8601	BALL BEARING A	43	F40-7901	GEAR SHAFT COLLAR
12	F61-6601	FRAME	44	F40-8001	ROLLER CLUTCH
13	F40-2007	CLUTCH LEVER	45	F05-5501	BALL BEARING B
14	F40-2801	PAWL CAP	46	B55-3801	BEARING WASHER A
16	F51-6501	LINE GUIDE PAWL	47	373-7810	BEARING WASHER B
17	F51-0301	WORM SHAFT	48	150-8901	DRAG SPRING WASHER
18	F06-1301	WORM SHAFT GEAR	49	B97-4901	SPACING SLEEVE B
19	F63-9901	CLUTCH TRIP PLT SPRING	50	F40-3202	STAR DRAG
20	E24-9001	CLUTCH CAM SPRING	51	B43-3601	DRAG NUT
21	E23-7401	CLUTCH CAM	52	150-9001	FRICTION WASHER
22	E24-9102	FLIPPING CAST SELECTOR	53	F61-7601	HANDLE
23	F40-9202	PINION GEAR	54	B43-3601	HANDLE NUT
24	E23-7701	YOKE	55	F40-8401	HANDLE NUT RET
25	E16-7101	YOKE SPRING	56	F42-8801	CLUTCH TRIP PLT
26	F40-7818	R/S PLT	57	F44-0201	CLUTCH TRIP PLT RET
27	B17-5401	SPOOL ADJ CAP METAL			
28	B17-5503	SPACER B			
29	171-5201	O RING			
30	F40-3002	CAST CONTROL CAP			
31	E30-0402	SET PLT SCREW			
32	E28-4901	R/S PLT SCREW			

TF-Z153IV

Key No.	Parts No.	Parts Name
9	F62-0501	SPOOL
12	F61-6701	FRAME