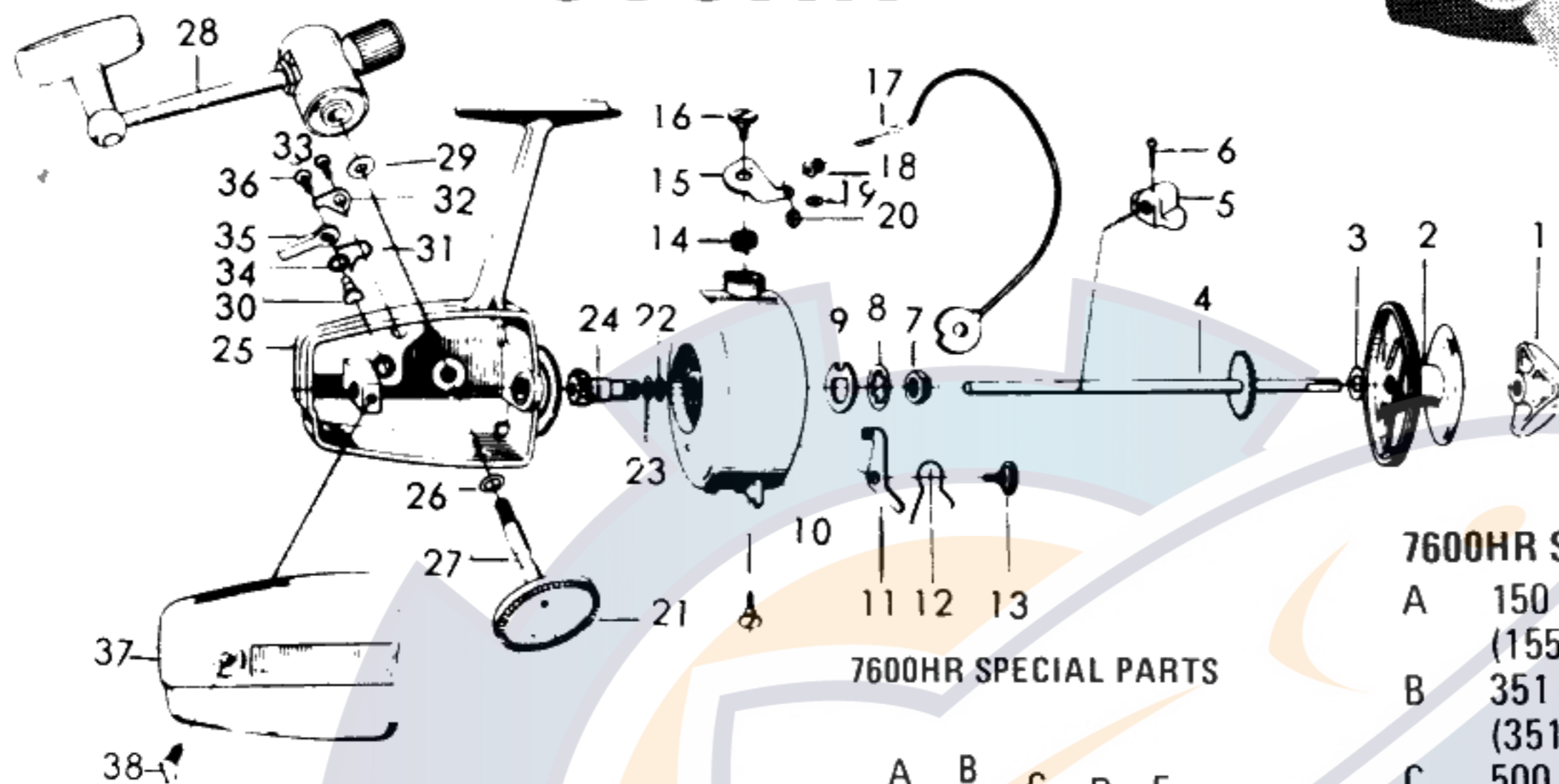
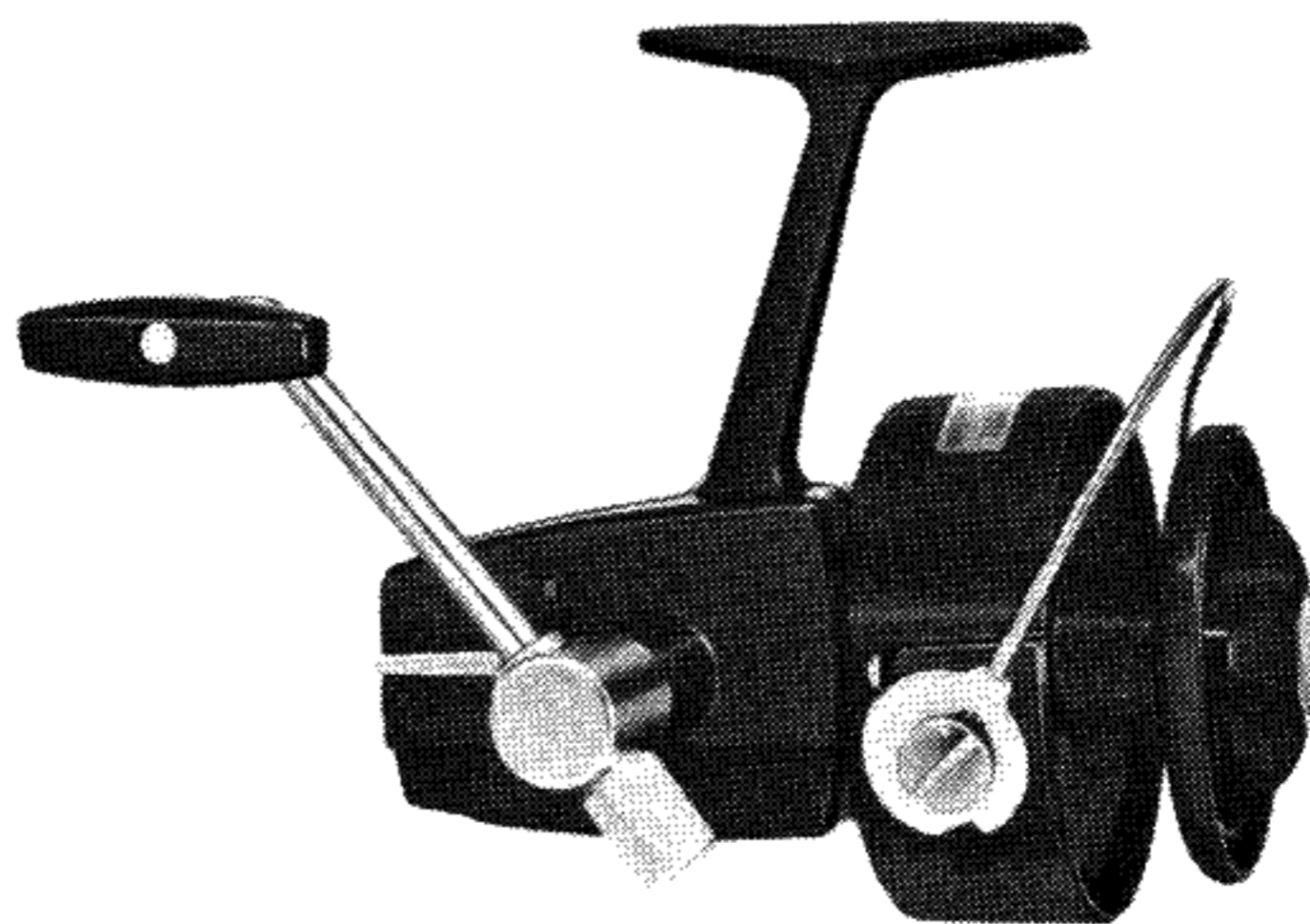




# SPINNING REEL 7600R 7600HR



### 7600HR SPECIAL PARTS

|   |          |                               |
|---|----------|-------------------------------|
| A | 150 5321 | Cushion spring (1553)         |
| B | 351 5801 | Brake retaining screw (35158) |
| C | 500 2131 | Pinion gear collar (5021)     |
| D | 340 7721 | Ball bearing ret. nut (3477)  |
| E | 631 0041 | Ball bearing (63100)          |

**LINE CAPACITY : 250 YDS., 15 LB. TEST**

| Key No. | Parts No.         | Parts Name             | Key No. | Parts No.         | Parts Name               | Key No.                   | Parts No.         | Parts Name                |
|---------|-------------------|------------------------|---------|-------------------|--------------------------|---------------------------|-------------------|---------------------------|
| 1       | 005 1801 (A00518) | Drag knob              | 17      | 002 9321 (A00293) | Bail                     | 33                        | 351 2551 (35125)  | Anti-reverse claw screw   |
| 2       | 000 4341 (A0043)  | Spool assembly         | 18      | 250 1011 (2510)   | Line roller              | 34                        | 150 1741 (1517)   | Anti-reverse lever washer |
| 3       | 371 2731 (37127)  | Spool washer           | 19      | 372 8901 (37289)  | Roller washer            | 35                        | 540 1911 (5419)   | Anti-reverse lever        |
| 4       | 004 3331 (A00433) | Main shaft             | 20      | 340 2011 (3420)   | Bail nut                 | 36                        | 350 1931 (3519)   | Anti-reverse lever screw  |
| 5       | 480 3231 (4832)   | Oscillating slider     | 21      | 361 6501 (36165)  | Bail holder screw        | 37                        | 060 6511 (0665)   | Body cover                |
| 6       | 490 2421 (4924)   | Oscillating slider pin | 22      | 371 3801 (37138)  | Rotor washer             | 38                        | 360 6911 (3669)   | Body cover screw          |
| 7       | 340 5841 (3458)   | Rotor nut              | 23      | 371 2823 (37128)  | Pinion washer            | (19, 22, 23. 7600HR only) |                   |                           |
| 8       | 160 1611 (1616a)  | Rotor washer           | 24      | 400 5521 (4055)   | Pinion                   | <b>For 7600HR only</b>    |                   |                           |
| 9       | 371 3101 (37131)  | Rotor retaining washer | 25      | 005 3701 (A00537) | Body                     | 15                        | 230 4011 (2340)   | Arm lever                 |
| 10      | 004 3431 (A00434) | Rotor                  | 26      | 370 0352 (3703)   | Drive gear washer        | 17                        | 002 9531 (A00295) | Bail                      |
| 11      | 570 2841 (5728)   | Bail kick lever        | 27      | 410 9121 (4191)   | Drive gear               | 18                        | 250 1901 (2519)   | Line roller               |
| 12      | 140 6231 (1462)   | Bail kick lever spring | 28      | 000 2111 (A0021)  | Handle                   | 20                        | 340 8201 (3482)   | Bail nut                  |
| 13      | 361 1511 (36115)  | Bail kick lever screw  | 29      | 371 3011 (37130)  | Handle washer            | 24                        | 400 6961 (4069)   | Pinion                    |
| 14      | 141 2701 (14127)  | Bail spring            | 30      | 460 1941 (4619)   | Anti-reverse cam         | 25                        | 190 9003 (1990)   | Body                      |
| 15      | 230 2051 (2320)   | Arm lever              | 31      | 140 9431 (1494)   | Anti-reverse claw spring | 26                        | 370 0353 (3703)   | Drive gear washer         |
| 16      | 361 6401 (36164)  | Arm lever screw        | 32      | 110 1711 (1117)   | Anti-reverse claw        | 27                        | 410 9731 (4197)   | Drive gear                |
|         |                   |                        |         |                   |                          | 32                        | 110 3401 (1134)   | Anti-reverse claw         |