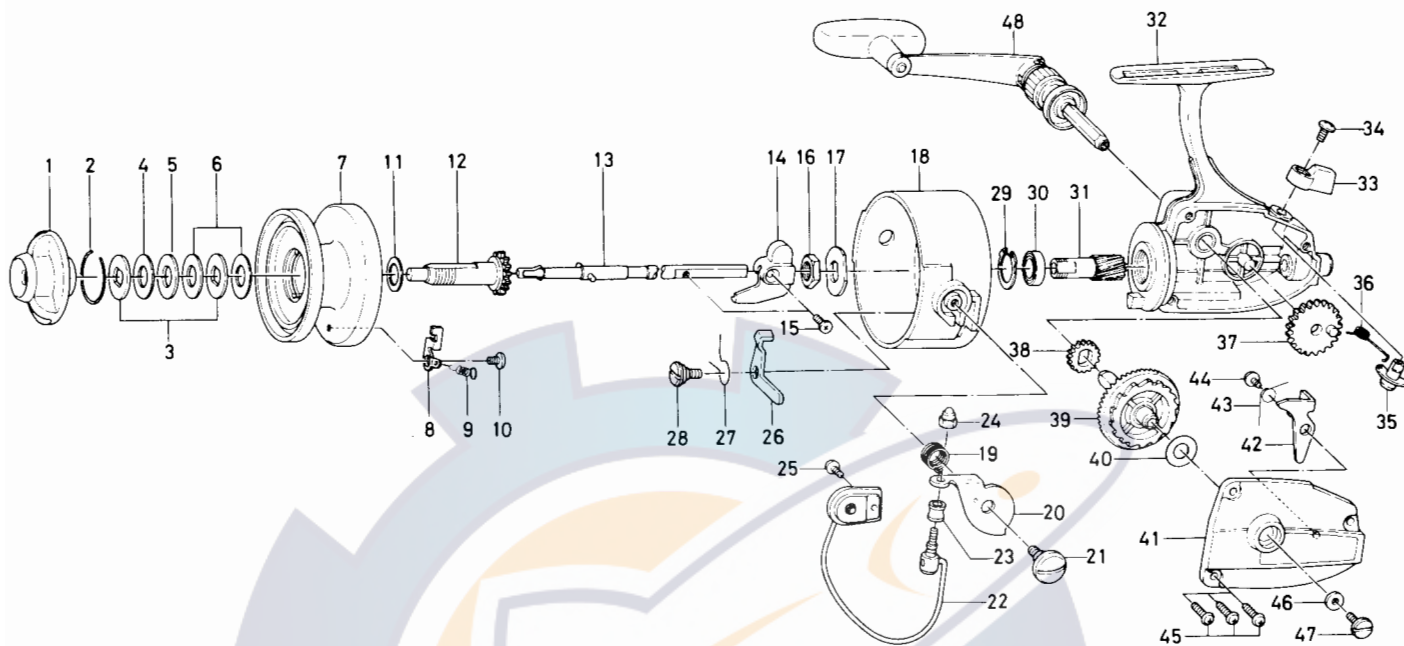




# SPINNING REEL 8450HRL



Key No. 1 ~ 12  
6-734-2301

Spool assembly \$5.00

Key No.	Parts No.	Parts Name	Price Per Piece	Key No.	Parts No.	Parts Name	Price Per Piece
1	6-007-8414	Drag knob	\$1.95	25	6-351-6401	Bail holder screw	\$ .15
2	6-170-4601	Drag washer retainer	.15	26	6-570-6411	Bail kick lever	.45
3	6-373-3501	Drag D washer	.15	27	6-142-5321	Bail kick lever spring	.15
4	6-373-3701	Disc washer	.35	28	6-363-1501	Bail kick lever screw	.25
5	6-373-3601	Drag A washer	.20	29	6-320-2911	Ball bearing ret. ring	.25
6	6-373-3411	Drag washer A	.20	30	6-631-6901	Ball bearing	3.10
7	6-514-4701	Spool	See Assy.	31	6-403-2501	Pinion gear	1.75
8	6-030-6802	Spool click claw	.25	32	6-007-6161	Body	4.95
9	6-142-0011	Spool click claw spring	.20	33	6-540-3711	Anti-reverse lever	.35
10	6-352-0601	Spool click claw screw	.15	34	6-350-1931	Anti-reverse lever screw	.15
11	6-375-5701	Spool washer	.15	35	6-460-6821	Anti-reverse cam	.20
12	6-007-8561	Spool metal	1.35	36	6-142-2801	Anti-reverse cam spring	.15
13	6-007-6461	Main shaft	.90	37	6-401-4801	Oscillating gear	1.15
14	6-480-6301	Oscillating slider	.40	38	6-401-3701	Oscillating pinion	.75
15	6-352-1501	Oscillating slider screw	.15	39	6-414-2001	Drive gear	2.15
16	6-340-5842	Rotor nut	.25	40	6-370-9923	Drive gear washer	.15
17	6-372-9202	Rotor retaining washer	.25	41	6-007-6502	Body cover	2.00
18	6-201-7911	Rotor	3.85	42	6-110-7401	Anti-reverse claw	.25
19	6-140-9231	Bail spring	.15	43	6-142-5411	Anti-reverse claw spring	.15
20	6-230-8301	Arm lever	.55	44	6-350-1931	Anti-reverse claw screw	.15
21	6-361-6413	Arm lever screw	.70	45	6-351-6401	Body cover screw	.15
22	6-007-6201	Bail	2.45	46	6-372-4601	Handle washer	.15
23	6-250-1921	Line roller	.35	47	6-351-5531	Handle screw	.35
24	6-340-9101	Bail nut	.45	48	6-007-6653	Handle	4.70