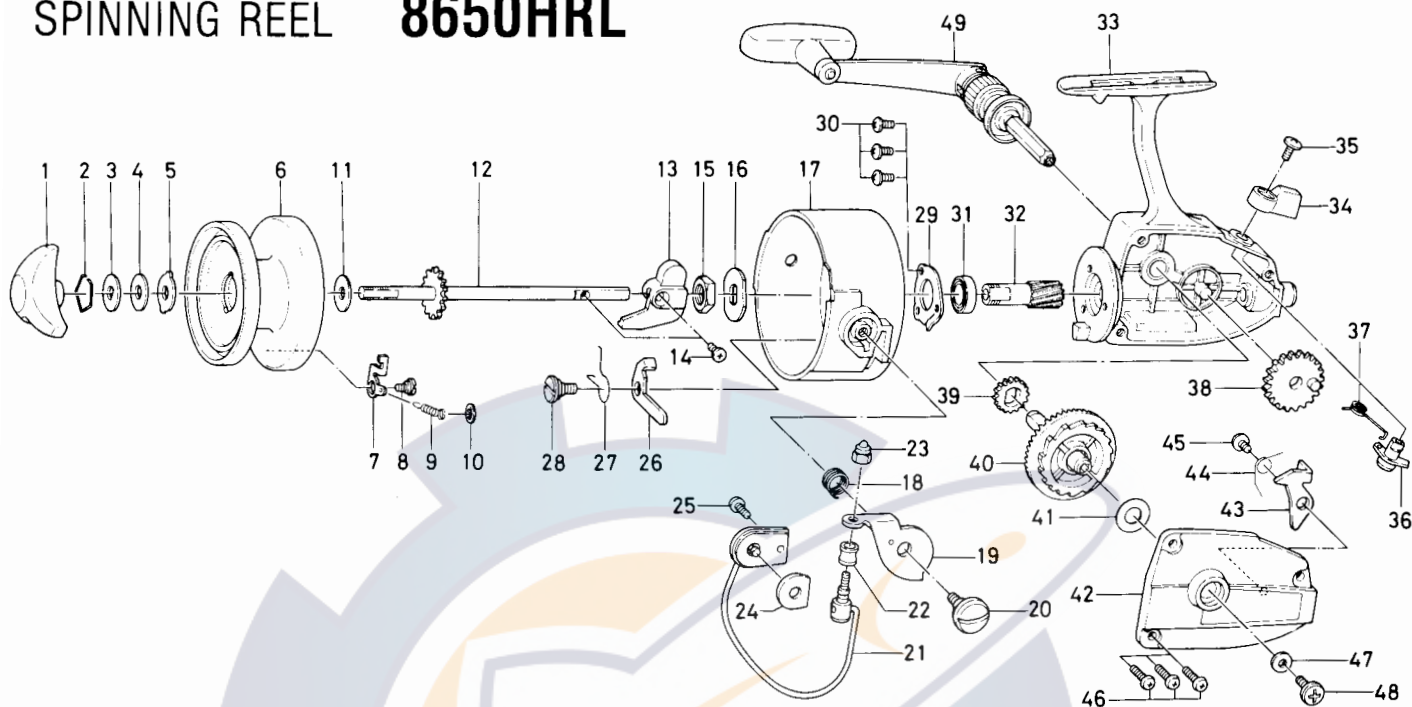




SPINNING REEL 8650HRL



Key No. 2 ~ 10

6-734-2701 Spool assembly \$3.95

Key No.	Parts No.	Parts Name	Price Per Piece	Key No.	Parts No.	Parts Name	Price Per Piece
1	6-005-1805	Drag knob	\$1.50	26	6-570-6821	Bail kick lever	\$ .80
2	6-170-4001	Drag washer retainer	.15	27	6-140-6231	Bail kick lever spring	.15
3	6-372-0801	Drag D washer	.45	28	6-363-1501	Bail kick lever screw	.25
4	6-370-6901	Disc washer	.15	29	6-351-6102	Ball bearing ret. washer screw	.15
5	6-372-4701	Drag A washer	.15	30	6-320-6201	Ball bearing ret. washer	.45
6	6-734-2601	Spool	See Assy.	31	6-635-5001	Ball bearing	5.90
7	6-030-6802	Spool click claw	.25	32	6-401-4901	Pinion gear	1.75
8	6-363-8401	Spool click claw screw	.20	33	6-700-0425	Body	5.50
9	6-140-2221	Spool click claw spring	.15	34	6-540-3711	Anti-reverse lever	.35
10	6-320-9701	Spool click claw spring retainer	.15	35	6-350-1931	Anti-reverse lever screw	.15
11	6-371-2731	Spool washer	.15	36	6-460-6821	Anti-reverse cam	.20
12	6-710-0711	Main shaft	1.00	37	6-142-2801	Anti-reverse cam spring	.15
13	6-480-6911	Oscillating slider	.45	38	6-412-1411	Oscillating gear	1.00
14	6-351-8901	Oscillating slider screw	.15	39	6-401-1701	Oscillating pinion	.80
15	6-340-8301	Rotor nut	.20	40	6-412-1501	Drive gear	2.95
16	6-372-4901	Rotor retaining washer	.25	41	6-370-7510	Drive gear washer	.15
17	6-201-7311	Rotor	4.15	42	6-705-0213	Body cover	2.20
18	6-141-2801	Bail spring	.15	43	6-110-8511	Anti-reverse claw	.20
19	6-230-8411	Arm lever	.60	44	6-142-8001	Anti-reverse claw spring	.15
20	6-361-6413	Arm lever screw	.70	45	6-350-2621	Anti-reverse claw screw	.15
21	6-725-2821	Bail	2.85	46	6-351-8501	Body cover screw	.15
22	6-250-2801	Line roller	.45	47	6-371-9521	Handle washer	.15
23	6-340-8501	Bail nut	.45	48	6-351-3631	Handle screw	.25
24	6-210-4301	Balancer	.35	49	6-745-0541	Handle	4.80
25	6-351-6401	Bail holder screw	.15				