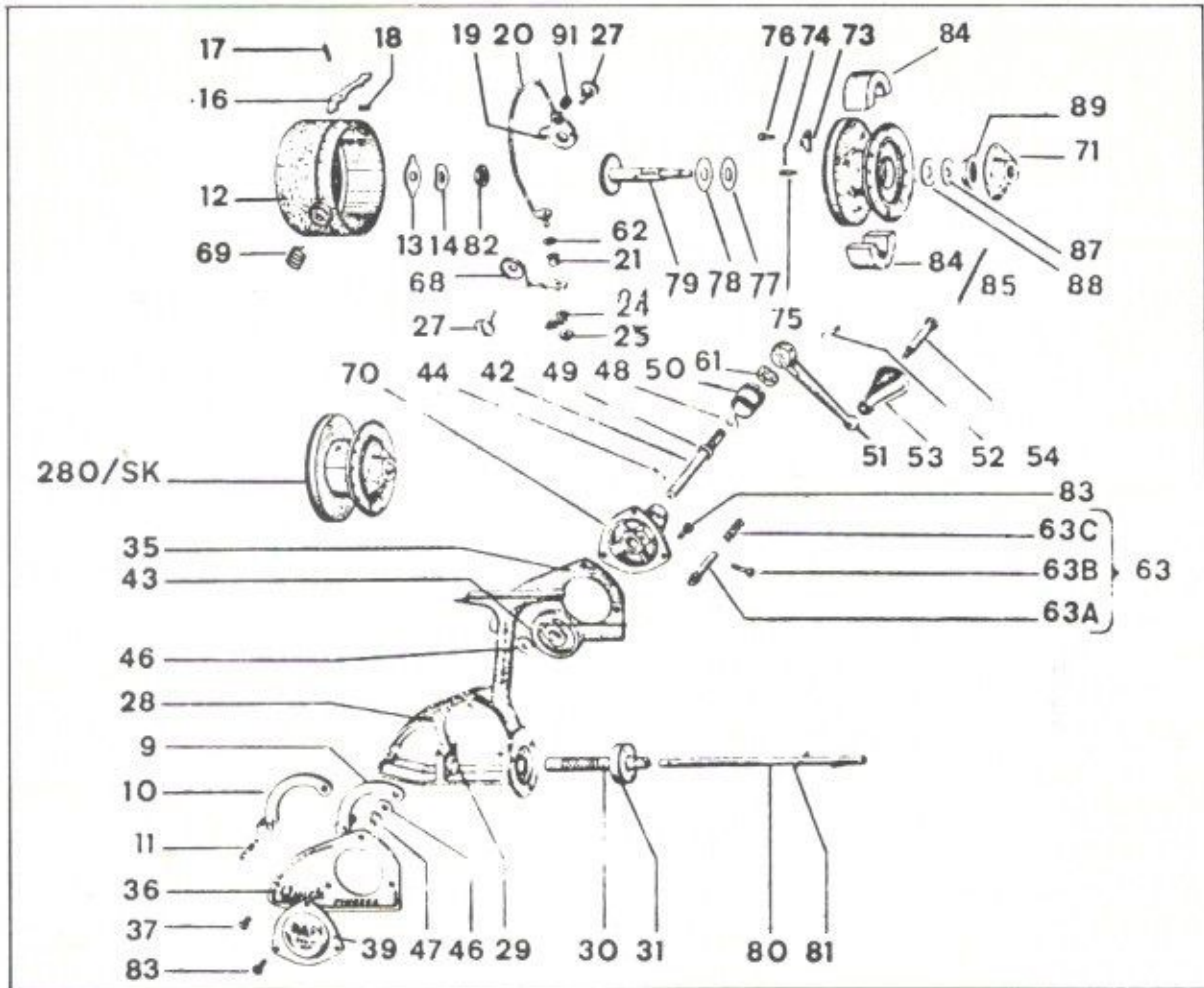


620 TERMINAL WAY • P. O. BOX 938 • COSTA MESA, CALIFORNIA 92627 • (714) 642-1163



SPARE PARTS CATALOG AND PRICE LIST

| QTY | FIG. NO. | PART NO. | DESCRIPTION | PRICE | FIG. NO. | PART NO. | DESCRIPTION | PRICE | QTY |
|-----|----------|----------|--|-------|----------|--|--------------------------------------|-------|-----|
| | 9 | 100-504 | Lever arm for left hand cranking | .50 | 53 | 100-149 | Handle grip | .40 | |
| | 10 | 100-514 | Lever arm for right hand cranking | .50 | 54 | 100-051 | Grip screw | .40 | |
| | 11 | 100-505 | Screw for lever arm | .30 | 61 | 100-073 | Spring ring for P/N 50 & 51 | .25 | |
| | 12 | 100-468 | Flange w stop lever bearing With ports 16, 17, 18 | 5.35 | 62 | 100-481 | Plastic washer for P/N 21 | .25 | |
| | 13 | 100-107 | Washer | .30 | 63 | 100-010 | Anti reverse clutch | | |
| | 14 | 100-070 | Spring ring | .25 | 100-011 | Anti reverse pin | .55 | | |
| | 16 | 100-470 | Stop lever | .65 | 63A | 100-010 | Ball lever | .45 | |
| | 17 | 100-472 | Bearing pin | .25 | 63B | 100-011 | Spring | .25 | |
| | 18 | 100-474 | Drag spring | .25 | 63C | 100-012 | Angle lever | .85 | |
| | 19 | 100-109 | Rubber buffer | .25 | 68 | 100-475 | Ball spring | .40 | |
| | 20 | 100-477 | Pickup arm | 2.90 | 69 | 100-061 | Bearing cover | 1.90 | |
| | 21 | 100-019 | Line guide | 2.45 | 70 | 100-444 | Brake nut | 1.45 | |
| | 24 | 100-069 | Lock washer | .30 | 71 | 100-014 | Ratchet | .30 | |
| | 25 | 100-482 | Plein nut | .30 | 73 | 100-016 | Ratchet spring | .30 | |
| | 27 | 100-476 | Bearing screw | .45 | 74 | 100-017 | Stop pin | .25 | |
| | 28 | 100-516 | Housing - refer to 285/330 Schematic | | 75 | 100-015 | Rivet | .25 | |
| | 29 | 100-132 | Bushing | .40 | 76 | 100-087 | Washer Resitex | .25 | |
| | 30 | 100-179 | Driving shaft | 2.50 | 77 | 100-086 | Washer, metal | .25 | |
| | 31 | 100-176 | Ball bearing | 3.00 | 78 | 100-493 | Brake spindle | 1.50 | |
| | 35 | 100-465 | Case cover, left | .75 | 80 | 100-506 | Axle - refer to 285/330 Schematic | | |
| | 36 | 100-464 | Case cover, right | .75 | 81 | 100-041 | Pin | .30 | |
| | 37 | 100-026 | Half round screw for case cover | .25 | 82 | 100-024 | Hexagon nut | .30 | |
| | 39 | 100-508 | Plate cover | .45 | 83 | 100-027 | Screw | .25 | |
| | 42 | 100-154 | Driving axle | 1.45 | 84 | 100-495 | Cork ring (pair) | .40 | |
| | 43 | 100-501 | Screw wheel | 2.05 | 87 | 100-104 | Washer, metal | .30 | |
| | 44 | 100-038 | Pin for screw wheel | .30 | 88 | 100-486 | Washer, fiber | .25 | |
| | 46 | 100-098 | Washer for P/N 45 | .25 | 89 | 100-487 | Plastic bushing | .30 | |
| | 47 | 100-078 | Spring ring for P/N 45 | .25 | 91 | 100-112 | Cover cap | .30 | |
| | 48 | 100-097 | Washer for P/N 42 | .25 | 280-SK | N/A - use 330-SK with 330 axle conversion noted on 285/330 | 8.50 | | |
| | 49 | 100-072 | Spring ring for P/N 42 | .25 | | | | | |
| | 50 | 100-134 | Handle nut | .70 | | | | | |
| | 51 | 100-185 | Crank arm | 1.30 | | | | | |
| | 52 | 100-045 | Pin for crank arm | .30 | | | | | |